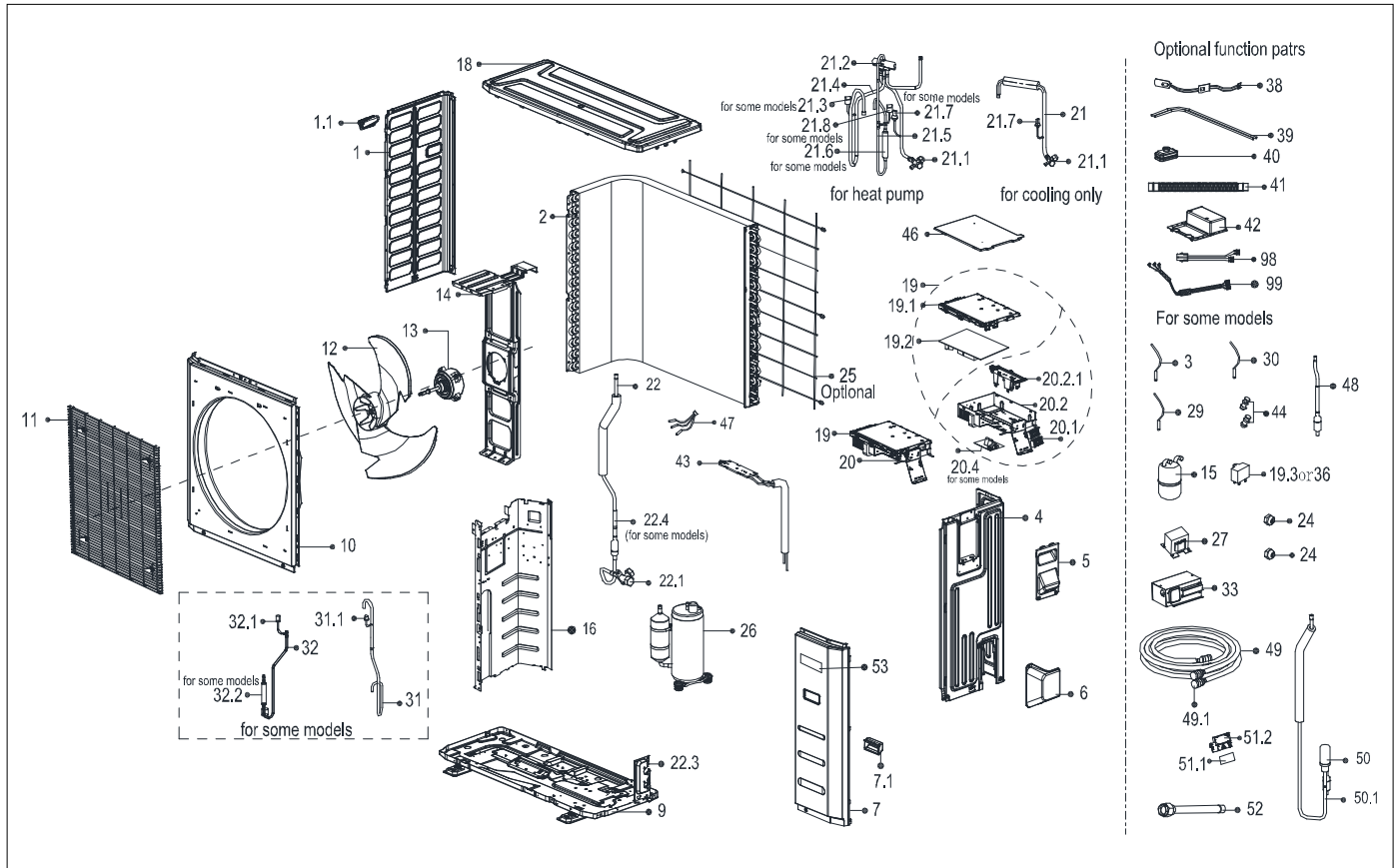


# Exploded View

**Model** CIP36CD(O)-L (18V)

Service code: 18V

# ComfortStar®



EX_ID	Spare Parts Code	Part Name(EN)	Qty.	Price	Remarks
1	12222000006665	Left supporter	1.0		
1.1	12100701000033	Small handle	1.0		
2	15822000014389	Condenser assembly	1.0		
4	12222000006664	rear right side plate assembly	1.0		
5	12222000011086	handle	1.0		
6	12122200002695	Water collector	1.0		
7	12222500A00135	front right side plate assembly	1.0		

7.1	12100702000038	Handle	1.0		
9	12222000004018	Chassis assembly	1.0		
10	12222000A01431	Front panel	1.0		
11	12222000014845	Air outlet grille	1.0		
12	12100105000084	axial flow fan	1.0		
13	11002015000247	Motor	1.0		
14	12222000005162	Motor bracket assembly	1.0		
15	15500508000315	Accumulator cylinder	1.0		
16	12222000012328	Partition board subassembly	1.0		
18	12222500000587	Top cover assembly	1.0		
19	17222000037716	Electronic control box subassembly	1.0		
19.1	12122000025662	Cover of electronic control box	1.0		
19.2	17122000051104	Outdoor main control board subassembly	1.0		
19.2	17122000066822	Outdoor main control board subassembly	1.0		ECN250113-1, Series Number after 18V25113xxxx
20	17222000036685	Electronic control box terminal board assembly	1.0		
20.1	17400401000068	Terminal block	1.0		
20.2	12222000012985	Terminal board assembly	1.0		
20.2.1	12122000024381	U-Typed Support with Copper Pipe	1.0		
21	15422000014492	4-way valve assembly	1.0		
21.1	15500204000025	Gas valve	1.0		
21.2	15500216000361	4-way valve	1.0		
21.4	15122000021857	Suction pipe	1.0		
21.5	15122000011326	Discharge pipe subassembly	1.0		
22	15422000019472	High pressure valve assembly	1.0		
22.1	15500208000286	High pressure valve	1.0		
22.3	12222200002110	Valve plate	1.0		
22.4	15500210002108	Throttle valve	1.0		
24	15500406000010	Copper nut	1.0		
24	15500406000003	Copper nut	1.0		
25	12222000006604	Rear Grille	1.0		
26	11103020000559	compressor	1.0		
31	15122000021854	Suction pipe subassembly	1.0		
31.1	17400516000848	Pressure switch	1.0		

32	15122000011324	Discharge pipe subassembly	1.0		
32.1	17400516000851	Pressure switch	1.0		
32.2	15500506000007	Muffler	1.0		
38	17402001000601	Crankcase electric heater	1.0		
39	17402002000466	Electric heater of chassis	1.0		
43	15122000026020	Radiator	1.0		
46	12122000016029	Cover of electronic control box	1.0		
47	11201011000188	combination sensor	1.0		
50	15422000019032	Electronic expansion valve subassembly	1.0		
50.1	15500213002290	Electronic expansion valve	1.0		
53	16000201001228	Outdoor unit trademark	1.0		
99	17401203000751	compressor connection cable	1.0		