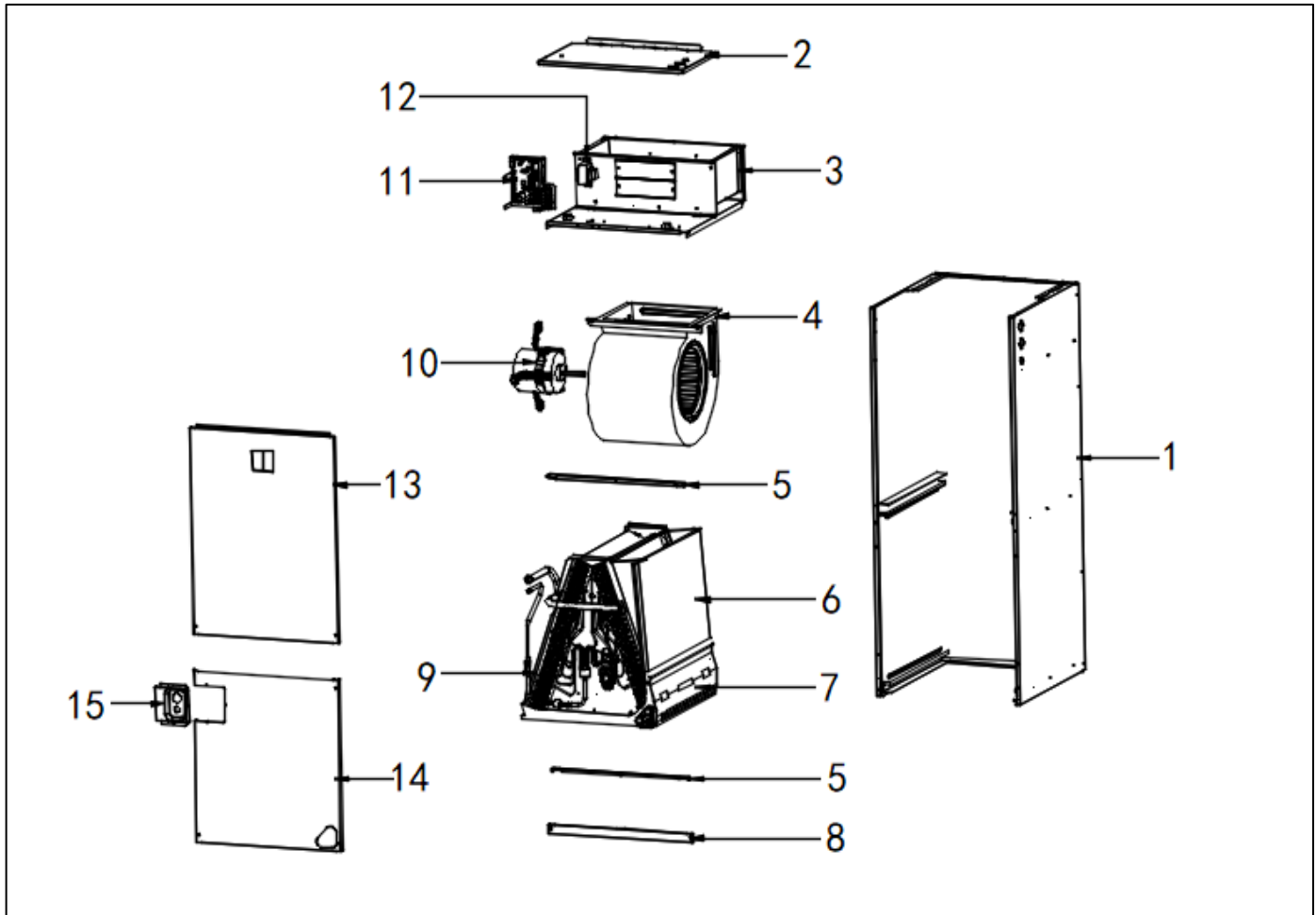


# Exploded View

Model LUC6-42-15

**ComfortStar®**



| EX_ID | Spare Parts Code | Part Name(EN)              | Qty. | Price | Remarks |
|-------|------------------|----------------------------|------|-------|---------|
| 1     | 801235000151     | Rear Enclosure Assembly    | 1    |       |         |
| 2     | 801235000131     | Control box cover assembly | 1    |       |         |
| 3     | 801235000176     | Duct assembly              | 1    |       |         |
| 4     | 801200200040     | Right Volute Wind Wheel    | 1    |       |         |
| 5     | 801239390051     | Support bar                | 2    |       |         |
| 6     | 801139390002     | Water pan components       | 1    |       |         |

|      |              |                                      |   |  |  |
|------|--------------|--------------------------------------|---|--|--|
| 7    | 802301800001 | Refrigerant leakage sensor           | 1 |  |  |
| 8    | 801239390088 | Filter Cover plate                   | 1 |  |  |
| 9    | 801535000074 | Evaporator components                | 1 |  |  |
| 9.1  | 801635000258 | Evaporator output tube assembly      | 1 |  |  |
| 9.2  | 801635000257 | Evaporator input tube assembly       | 1 |  |  |
| 9.3  | 801235000128 | Evaporator baffle                    | 2 |  |  |
| 10   | 802401700428 | DC Motor                             | 1 |  |  |
| 11   | 803344000321 | Indoor electric control box assembly | 1 |  |  |
| 11.1 | 801306200001 | Indoor main control board            | 1 |  |  |
| 11.2 | 802301500028 | Ambient temperature sensor           | 1 |  |  |
| 11.3 | 802300400181 | Coil temperature sensor              | 1 |  |  |
| 12   | 802311300001 | Transformers                         | 1 |  |  |
| 13   | 801243100007 | Upper side plate assembly            | 1 |  |  |
| 14   | 801243100008 | Down side plate assembly             | 1 |  |  |
| 15   | 801235000073 | Pipe Cover plate assembly            | 1 |  |  |