

Air Handler Heat Pump System

Location:	Approval:
Engineer:	Date:
Submitted to:	Construction:
Submitted by:	Unit #:
Reference:	Drawing #:



INDOOR SPECIFICATION	
ESP(in.W.G)	0-0.8
Indoor Air Flow (Turbo/H/M/L/Si) (CFM)	1601.0 / 1471.5 / 1283.1 / 1094.8 / N/A
Indoor Noise Level (Turbo/H/M/L/Si) (dBA)	N/A/52/50/34/N/A
Dimension (W×D×H)	inch 21.02 x 24.49 x 52.99
	mm 534.0×622.0×1346.0
Package (W×D×H)	inch 27.95 x 26.77 x 56.50
	mm 710×680×1435
Net/Gross Weight	lbs 162.92/190.92
	kg 73.9/86.6

OUTDOOR SPECIFICATION	
Compressor Type	ROTARY
Compressor Model	MTH550UKPC8FU
Refrigerant	R454B
Refrigerant Oil Charge(mL)	1800
Refrigerant Oil	HAF68D1C
Outdoor Air Flow (Max) (CFM)	3037.1
Outdoor Noise Level (dBA)	65
Dimension (W×D×H)	inch 38.58 x 16.34 x 38.39
	mm 980.0×415.0×975.0
Package (W×D×H)	inch 45.08 x 19.68 x 42.52
	mm 1145×500×1080
Net/Gross Weight	lbs 201.06/232.36
	kg 91.2/105.4

EFFICIENCY			
Cooling		Heating	
SEER2	16.5	HSPF2-4	9.5
EER2	10.5	COP	3.40

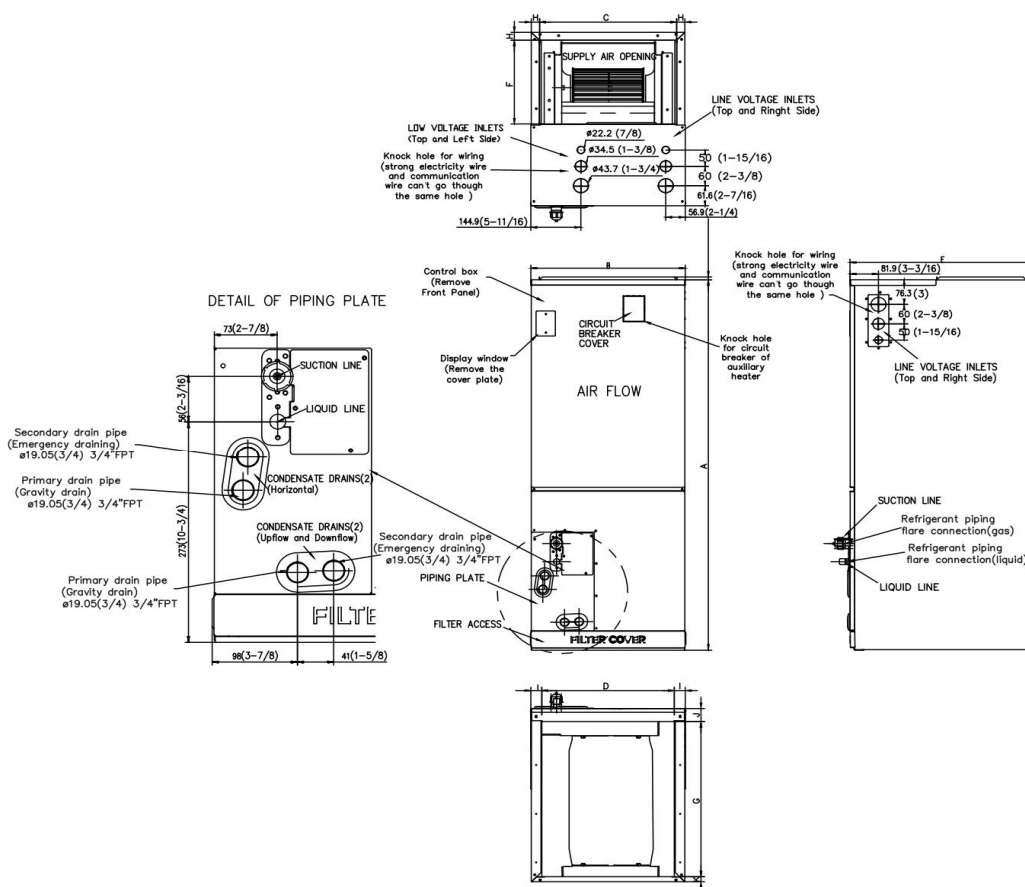
PERFORMANCE of Cooling	
Cooling (Btu/hr)	
Rated Capacity	48000
Min/Max Capacity	15600~51000
Moisture Removal(L/h)	3.85
Standard Operating Range(°F/°C)	-22~122(-30~50)
Rated Cooling Conditions:	Indoor: 80°F DB/67°F WB Outdoor: 95°F DB/75°F WB

PERFORMANCE of Heating	
Heating (Btu/hr)	
1. @ 47°F Rated	50000
2. @ 47°F Min/Max Capacity	15500~57300
3. @ 17°F Rated	37000
4. @ 5°F Rated: Capacity / COP	46000/1.9
5. @ 5°F Max: Capacity	46000
Standard Operating Range(°F/°C)	-22~75(-30~24)
1. Rated Heating Conditions:	Indoor: 70°F DB/60°F WB Outdoor: 47°F DB/43°F WB
2. Rated Heating Conditions:	Indoor: 70°F DB/60°F WB Outdoor: 17°F DB/15°F WB
3. Heating Conditions, Compressor Operating at Max. Frequency	Indoor: 70°F DB/60°F WB Outdoor: 5°F DB/5°F WB

ELECTRICAL	
Indoor Power Supply	115/208/230V,60Hz,1Ph
Indoor MCA 115V/(208/230V)	14.5/11.0
Indoor MOP	15
Outdoor Power Supply	208/230V,60Hz,1Ph
Outdoor MCA	38
Outdoor MOP	40
Communication Wiring	AWG 20-2
Compressor RLA	28
Outdoor Fan Motor RLA	2
Outdoor Fan Motor W	250
Indoor Fan Motor RLA	7.8
Indoor Fan Motor W	750
System Power Input @ Cooling (W)	4690(1345 ~ 5180)
System Power Input @ Heating (W)	4750(1045 ~ 5200)
MCA: Min. circuit amps (A)	MOCP: Max. over current protection (A)
RLA: Rated load amps (A)	W: Fan motor rated output (W)

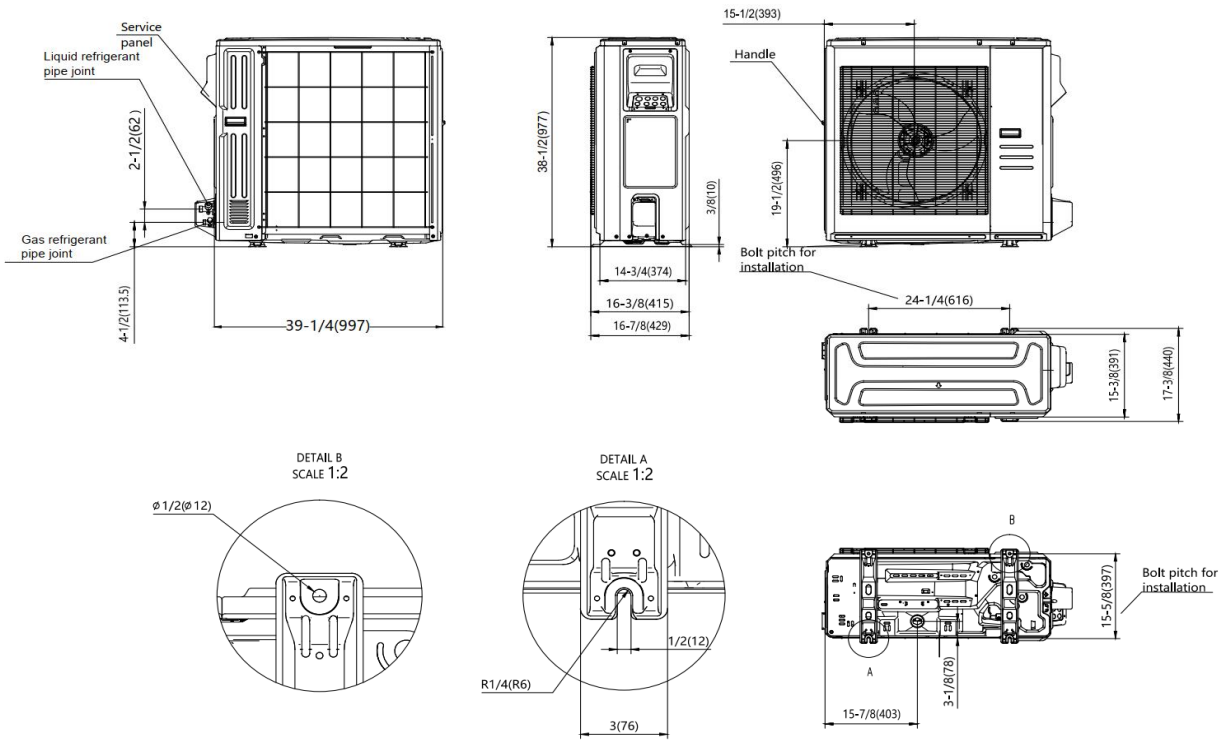
PIPING	
Throttle type(Indoor)	EXV
Throttle type(Outdoor)	EXV
Liquid Size	9.52mm(3/8in)
Gas Size	19mm(3/4in)
Max. Piping Length(ft/m)	246(75)
Max. Height Difference(ft/m)	98.4(30)
Max. Pre-charged Length(ft/m)	24.6(7.5)
Refrigerant Pre-charged Amount(oz/kg)	134.04(3.8)
Additional Charge of Refrigerant((oz/ft)/(g/m))	0.7(65)
Connection Method	Flared

Indoor Unit Dimension

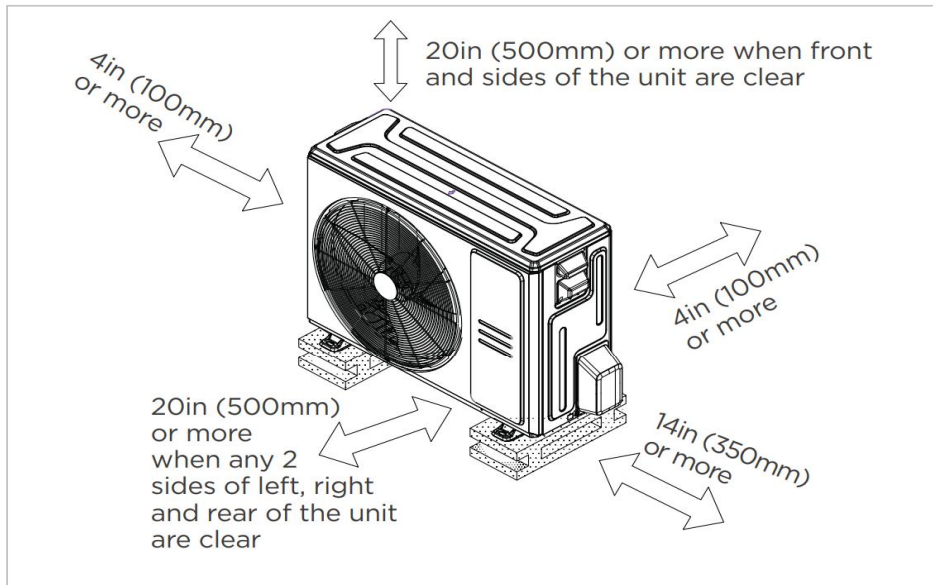


Dimensions	Model	18k/24k		30k/36k		48k/60k	
		inch	mm	inch	mm	inch	mm
A	Model Height	45	1143	49	1245	53	1346
B	Model Width	17-1/2	445	21	534	24-1/2	622
C	Supply Air Opening Width	15-5/8	397	19-1/8	486	22-5/8	575
D	Return Air Opening Width	15-1/8	384	18-5/8	473	22-1/8	562
E	Model Depth	21	534	21	534	21	534
F	Supply Air Opening Depth	10-1/4	260	10-1/4	260	10-1/4	260
G	Return Air Opening Depth	18-3/4	476	18-3/4	476	18-3/4	476
H	Supply Air Opening Clearance	15/16	24	15/16	24	15/16	24
I	Return Air Opening Side Clearance	1-1/4	32	1-1/4	32	1-1/8	28
J	Return Air Opening Front Clearance	1-1/2	38	1-5/8	41	1-5/8	41
K	Return Air Opening Back Clearance	5/8	16	5/8	16	3/4	19

Outdoor Unit Dimension

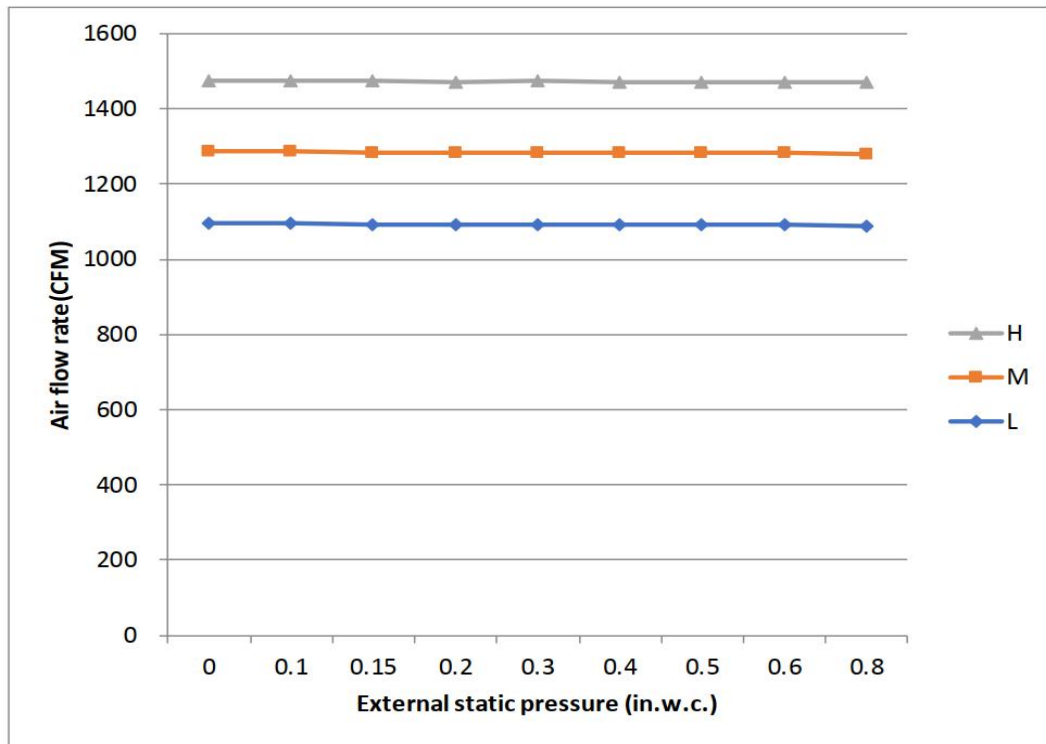


Installation Instruction For Outdoor Unit



Meets all spatial requirements shown in Installation Clearance Requirements above.

Fan Performance For Indoor Unit



Features

- Multi-position installation: horizontal(left or right), vertical(up or down)
- Aluminum Coil
- Constantly Air Flow system up to 0.80 In.W.G
- 1 inch R4.2 fiberglass free insulation reduces condensation and boosts efficiency(optional)
- Optional Auxiliary heat kit up to 25kW
- Easy Maintenance
- Multiple control options available:
 - Two way communication wired controller with built-in WiFi:AWC-8P-LC-WIFI
 - Wireless remote controller
 - Third-Party 24V Thermostat
- Adaptive Control System
- High efficiency up to 19 SEER2, 12.5 EER2, 10.3 HSPF2
- 100% heat output at -4F*
- Chassis heater and crankcase heater equipped as standard

* For 36K model, rated cooling capacity/heating capacity at -4F=100%