

**Air Handler Heat Pump System**

Location:	Approval:
Engineer:	Date:
Submitted to:	Construction:
Submitted by:	Unit #:
Reference:	Drawing #:



**INDOOR SPECIFICATION**

ESP(in.W.G)	0-0.8
Indoor Air Flow (Turbo/H/M/L/Si) (CFM)	1807.0 / 1583.3 / 1359.7 / 1136.0 / N/A
Indoor Noise Level (Turbo/H/M/L/Si) (dBA)	54.5/52/49.5/34.5/N/A
Dimension (W×D×H)	inch 21.02 x 24.49 x 52.99
	mm 534.0×622.0×1346.0
Package (W×D×H)	inch 27.95 x 26.77 x 56.50
	mm 710×680×1435
Net/Gross Weight	lbs 162.92/190.92
	kg 73.9/86.6

**OUTDOOR SPECIFICATION**

Compressor Type	TWIN-ROTARY
Compressor Model	ETPQ480D66UMU1
Refrigerant	R454B
Refrigerant Oil Charge(mL)	1300
Refrigerant Oil	VG75
Outdoor Air Flow (Max) (CFM)	2648.6
Outdoor Noise Level (dBA)	65
Dimension (W×D×H)	inch 37.48 x 16.34 x 52.48
	mm 952.0×415.0×1333.0
Package (W×D×H)	inch 43.11 x 19.49 x 58.27
	mm 1095×495×1480
Net/Gross Weight	lbs 242.95/275.13
	kg 110.2/124.8

**EFFICIENCY**

Cooling		Heating	
SEER2	16.0	HSPF2-4	9.0
EER2	10.0	COP	3.10

**PERFORMANCE of Cooling**

Cooling (Btu/hr)	
Rated Capacity	54000
Min/Max Capacity	11400~56300
Moisture Removal(L/h)	5.87
Standard Operating Range(°F/°C)	-22~122(-30~50)
Rated Cooling Conditions:	Indoor: 80°F DB/67°F WB Outdoor: 95°F DB/75°F WB

**PERFORMANCE of Heating**

Heating (Btu/hr)	
1. @ 47°F Rated	56000
2. @ 47°F Min/Max Capacity	8100~64500
3. @ 17°F Rated	45000
4. @ 5°F Rated: Capacity / COP	52000/1.8
5. @ 5°F Max: Capacity	52000
Standard Operating Range(°F/°C)	-22~75(-30~24)
1. Rated Heating Conditions:	Indoor: 70°F DB/60°F WB Outdoor: 47°F DB/43°F WB
2. Rated Heating Conditions:	Indoor: 70°F DB/60°F WB Outdoor: 17°F DB/15°F WB
3. Heating Conditions, Compressor Operating at Max. Frequency	Indoor: 70°F DB/60°F WB Outdoor: 5°F DB/5°F WB

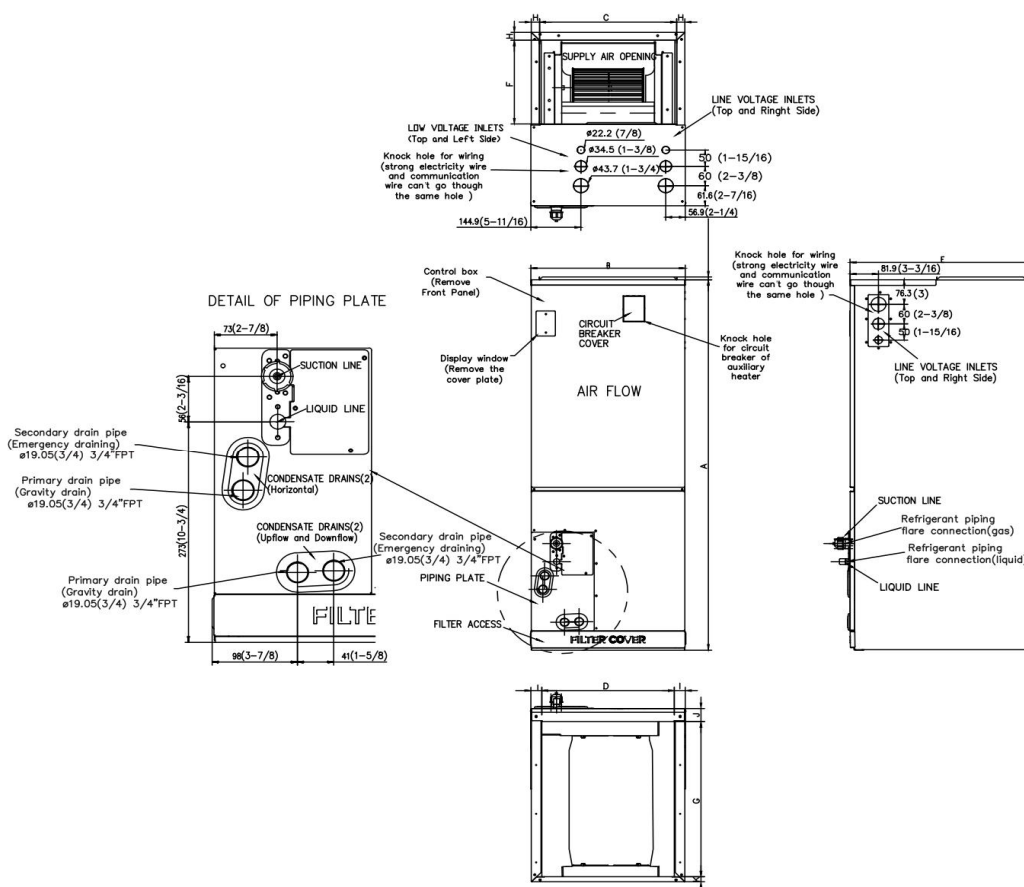
**ELECTRICAL**

Indoor Power Supply	115/208/230V,60Hz,1Ph
Indoor MCA 115V/(208/230V)	14.5/11.0
Indoor MOP	15
Outdoor Power Supply	208/230V,60Hz,1Ph
Outdoor MCA	40
Outdoor MOP	40
Communication Wiring	AWG 20-2
Compressor RLA	31
Outdoor Fan Motor RLA	1.2
Outdoor Fan Motor W	85
Indoor Fan Motor RLA	8.3
Indoor Fan Motor W	750
System Power Input @ Cooling (W)	5400(1540 ~ 6430)
System Power Input @ Heating (W)	5300(725 ~5970)
MCA: Min. circuit amps (A)	MOCP: Max. over current protection (A)
RLA: Rated load amps (A)	W: Fan motor rated output (W)

**PIPING**

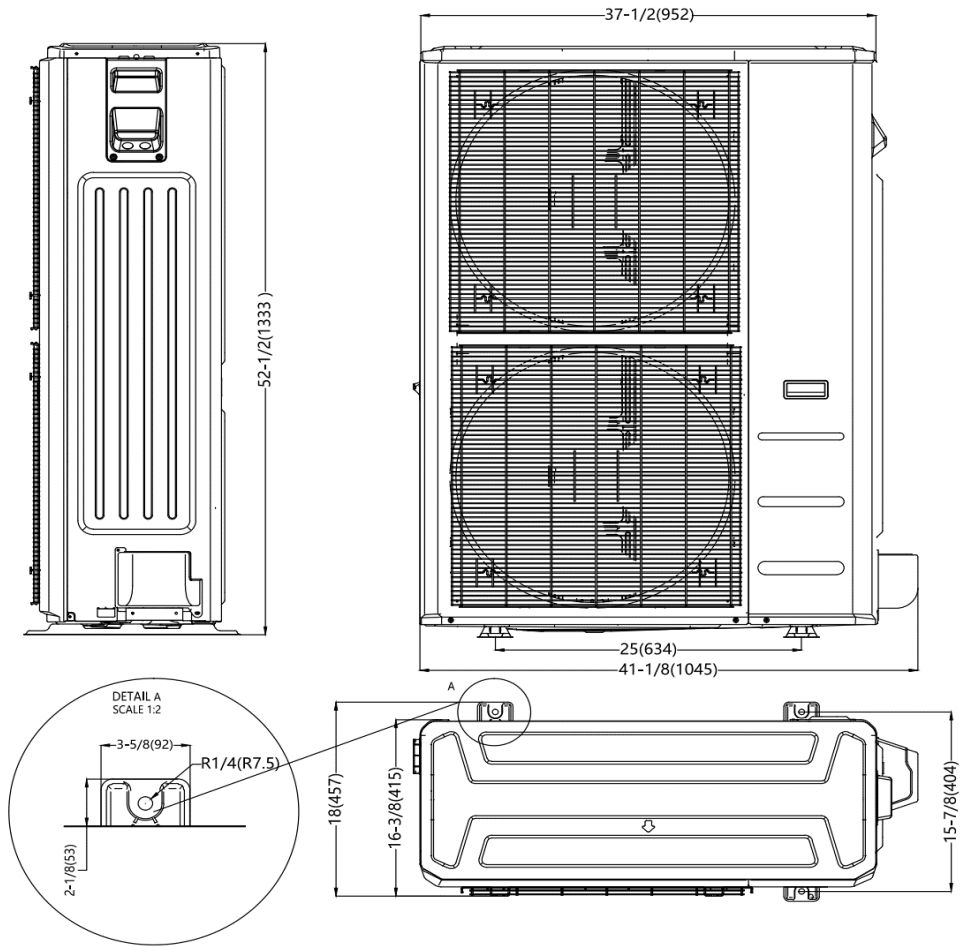
Throttle type(Indoor)	EXV
Throttle type(Outdoor)	EXV
Liquid Size	9.52mm(3/8in)
Gas Size	19mm(3/4in)
Max. Piping Length(ft/m)	246(75)
Max. Height Difference(ft/m)	98.4(30)
Max. Pre-charged Length(ft/m)	24.6(7.5)
Refrigerant Pre-charged Amount(oz/kg)	183.42(5.2)
Additional Charge of Refrigerant((oz/ft)/(g/m))	0.7(65)
Connection Method	Flared

## Indoor Unit Dimension

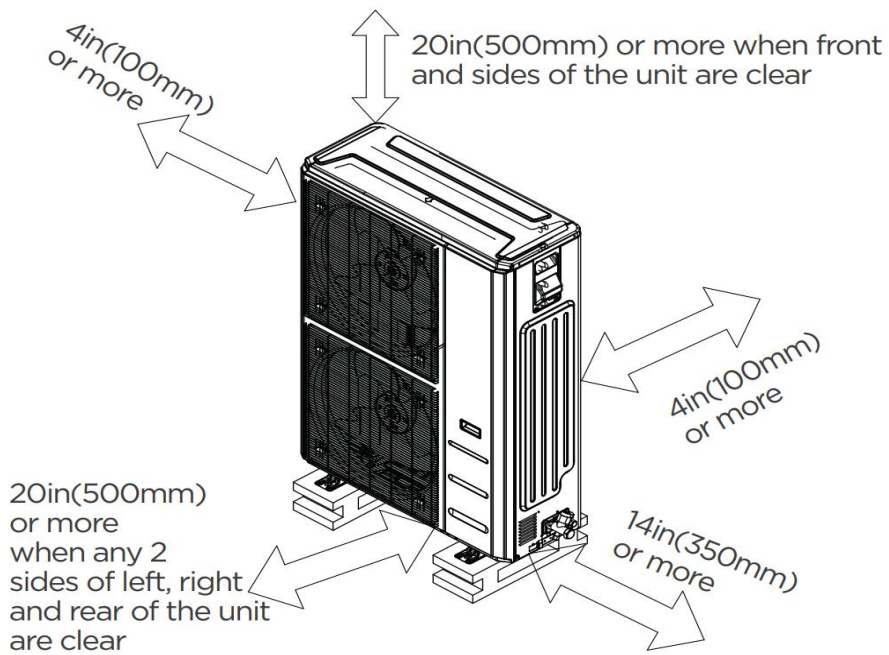


Dimensions	Model	18k/24k		30k/36k		48k/60k	
		inch	mm	inch	mm	inch	mm
A	Model Height	45	1143	49	1245	53	1346
B	Model Width	17-1/2	445	21	534	24-1/2	622
C	Supply Air Opening Width	15-5/8	397	19-1/8	486	22-5/8	575
D	Return Air Opening Width	15-1/8	384	18-5/8	473	22-1/8	562
E	Model Depth	21	534	21	534	21	534
F	Supply Air Opening Depth	10-1/4	260	10-1/4	260	10-1/4	260
G	Return Air Opening Depth	18-3/4	476	18-3/4	476	18-3/4	476
H	Supply Air Opening Clearance	15/16	24	15/16	24	15/16	24
I	Return Air Opening Side Clearance	1-1/4	32	1-1/4	32	1-1/8	28
J	Return Air Opening Front Clearance	1-1/2	38	1-5/8	41	1-5/8	41
K	Return Air Opening Back Clearance	5/8	16	5/8	16	3/4	19

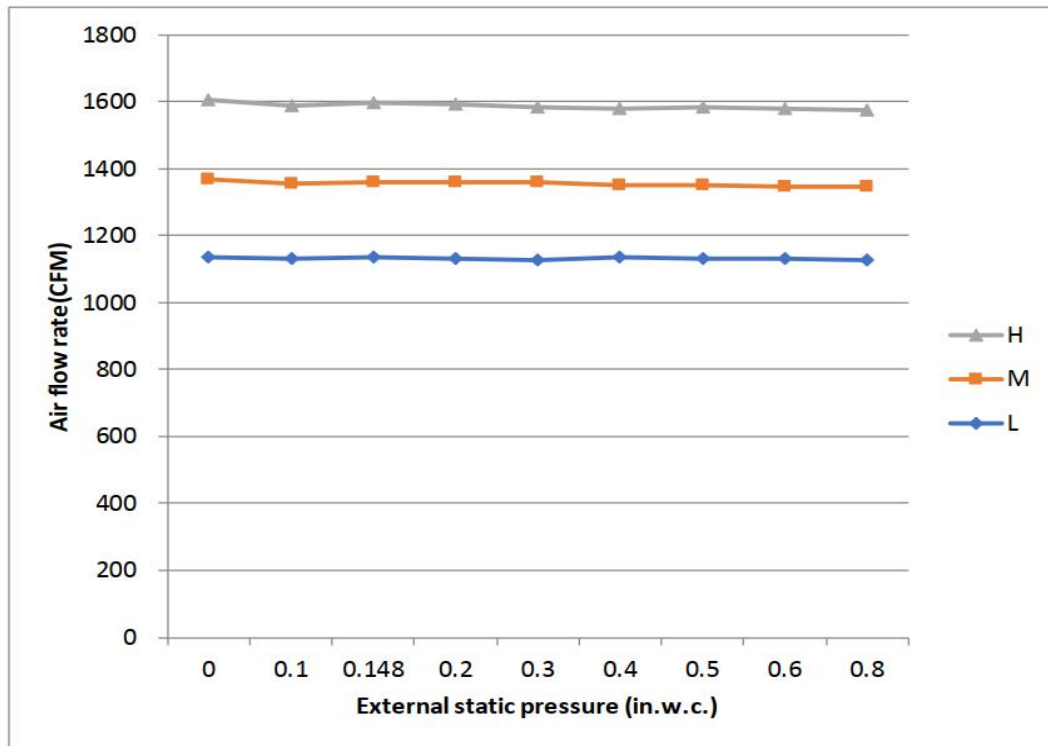
### Outdoor Unit Dimension



### Installation Instruction For Outdoor Unit



### Fan Performance For Indoor Unit



### Features

- Multi-position installation: horizontal(left or right), vertical( up or down)
- Aluminum Coil
- Constantly Air Flow system up to 0.80 In.W.G
- 1 inch R4.2 fiberglass free insulation reduces condensation and boosts efficiency(optional)
- Optional Auxiliary heat kit up to 25kW
- Easy Maintenance
- Multiple control options available:
  - Two way communication wired controller with built-in WiFi:AWC-8P-LC-WIFI
  - Wireless remote controller
  - Third-Party 24V Thermostat
- Adaptive Control System
- High efficiency up to 19 SEER2, 12.5 EER2, 10.3 HSPF2
- 100% heat output at -4F\*
- Chassis heater and crankcase heater equipped as standard

\* For 36K model, rated cooling capacity/heating capacity at -4F=100%