

# Submittal

TAG: \_\_\_\_\_

PRODUCT NAME \_\_\_\_\_  
LOCATION \_\_\_\_\_  
ARCHITECT \_\_\_\_\_  
ENGINEER \_\_\_\_\_  
CONTRACTOR \_\_\_\_\_  
SUBMITTED BY \_\_\_\_\_ DATA \_\_\_\_\_

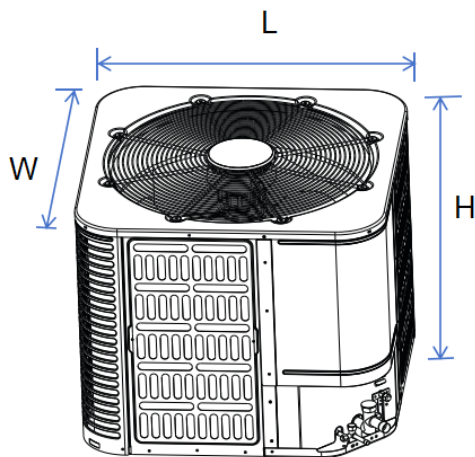
## UNIT SUMMARY

Quantity						
Unit Designation						
Model No.						
Cooling Input						
Cooling Output						
CFM/ESP						
COP/HSPF						
Electrical						
Minimum Ampacity						
Max Overcurrent Protection						
Net Unit Weight						
Accessory						
Catalog Form Number						

### ACCESSORIES

### NOTES

**Condensing Unit**  
**BAR6 Series Air Conditioner**  
**Up to 14.3 SEER2**  
**Cooling capacity: 36kBTU/h**



Model Size	Unit Width "W" in. [mm]	Unit Height "H" in. [mm]	Unit Length "L" in. [mm]	Packing (W*H*D) in. [mm]	Unit Weight (lbs.[kg])
18	21-4/5 [551]	25 [633]	21-4/5 [551]	22-3/5×25-9/10×22-3/5[575 × 660 × 575]	126 [57]
24	21-4/5 [551]	25 [633]	21-4/5 [551]	22-3/5×25-9/10×22-3/5[575 × 660 × 575]	127 [57.5]
30	29-1/7 [740]	25 [633]	29-1/7 [740]	29-9/10×25-9/10×29-9/10[760× 660×760]	158 [71.5]
36	29-1/7 [740]	25 [633]	29-1/7 [740]	29-9/10×25-9/10×29-9/10[760× 660×760]	160 [72.5]
42	29-1/7 [740]	32-7/8 [835]	29-1/7 [740]	29-9/10×34-2/5×29-9/10[760× 875× 760]	176 [80]
48	29-1/7 [740]	32-7/8 [835]	29-1/7 [740]	29-9/10×34-2/5×29-9/10[760× 875× 760]	196 [89]
60	29-1/7 [740]	32-7/8 [835]	29-1/7 [740]	29-9/10×34-2/5×29-9/10[760× 875× 760]	207 [94]



# Specifications

<b>Model</b>		<b>BAR6-36-15</b>	
<b>Outdoor power supply</b>		<b>V/Ph/Hz</b>	230V/1N/60HZ
<b>Cooling</b>	<b>Capacity</b>	<b>Btu/h</b>	33000
	<b>EER2</b>	<b>Btu/h.W</b>	11.7
	<b>SEER2</b>	<b>Btu/h.W</b>	14.3
<b>Refer to Room Area</b>	<b>square feet</b>		516.00
<b>Max. input consumption</b>		<b>W</b>	/
<b>Max. current</b>		<b>A</b>	/
<b>MCA</b>		<b>A</b>	25
<b>MOP</b>		<b>A</b>	35
<b>Compressor</b>	<b>Brand</b>		LG
	<b>Model</b>		YPH029KAA
	<b>Type</b>		scroll
	<b>Capacity</b>	<b>Btu/h</b>	36000.00
	<b>Input</b>	<b>W</b>	2134.00
	<b>Rated current(RLA)</b>	<b>A</b>	14.00
	<b>Locked rotor Amp(LRA)</b>	<b>A</b>	75.00
<b>Outdoor fan motor</b>	<b>Brand</b>		Broad-Ocean
	<b>Model</b>		DRN-310-200-10
	<b>Rate current</b>	<b>A</b>	1.30
	<b>Input</b>	<b>W</b>	226
	<b>Output</b>	<b>W</b>	200
	<b>Capacitor</b>	<b>μF</b>	/
	<b>Speed</b>	<b>rpm</b>	950
<b>Outdoor fan blade</b>	<b>Dimension</b>	<b>mm</b>	Φ585×110×Φ12.7
<b>Outdoor coil</b>	<b>Number of row</b>		2
	<b>Fin spacing</b>	<b>in</b>	0.055
	<b>Fin material</b>		Hydrophilic Aluminium Fin
	<b>Tube outside diameter</b>	<b>in</b>	Φ 0.276
	<b>Tube material</b>		Inner Grooved
	<b>Coil length x height x width</b>	<b>in</b>	84.09×23.15×1.05
	<b>Number of circuit</b>		6
<b>Outdoor air flow</b>		<b>CFM</b>	3350
<b>Outdoor noise level</b>		<b>dB(A)</b>	60
<b>Throttling type</b>			Piston
<b>Outdoor dimension</b>	<b>Unit (WxHxD)</b>	<b>in</b>	29-1/7×32-7/8×29-1/7
		<b>mm</b>	740×835×740
	<b>Packing (WxHxD)</b>	<b>in</b>	29-9/10×34-2/5×29-9/10
		<b>mm</b>	760×875×760
	<b>Net / Gross weight</b>	<b>kg</b>	72.5/77
	<b>lbs</b>	160/170	
<b>Refrigerant</b>	<b>Type</b>		R454b
	<b>Charging</b>	<b>oz</b>	123.46
<b>Refrigerant pipe</b>	<b>Liquid side</b>	<b>in</b>	Φ3/8

	<b>Gas side</b>	<b>in</b>	Φ3/4
	<b>Max. refrigerant pipe length</b>	<b>ft</b>	131
	<b>Max. difference in level</b>	<b>ft</b>	60
<b>Design pressure</b>		<b>MPa</b>	3.79/1.72
<b>Max pressure</b>		<b>MPa</b>	4.15
<b>Operation temp range</b>	<b>Cooling</b>	<b>°F</b>	53-120

---

**Standard Features:**

- Eco-friendly R454B refrigerant with low GWP value.
- Energy-efficient compressor.
- Equipped with thermal overload protection.
- High quality condenser with inner-groove copper tube and aluminum fin.
- Service valves with sweat connections and easy-access gauge ports.
- Factory-installed high-pressure switch.
- AHRI certified and ETL listed.

**Cabinet Features:**

- Compact design allows for ease of installation, clearance, durability, and maneuverability.
  - Powder-painted galvanized steel cabinet chassis.
  - Protective steel louvered coil guard.
  - Steel wire axial fan guard
  - ECM fan motor and unique blade style allowing for smooth discharge air and quieter operation.
-

# ComfortStar®

---

Add.: 12201 N W 107th Avenue Miami, FL 33178

1.866.524.9898 Toll Free

305.500.9898 Office

305.500.9896 Fax document.

<http://www.comfortstarusa.com>