

SUBMITTAL DATA SHEET

ComfortStar®

CAC18CD-WI

Location: _____
 Engineer: _____
 Submitted to: _____
 Submitted by: _____
 Reference: _____

Approval: _____
 Date: _____
 Construction: _____
 Unit #: _____
 Drawing #: _____

Set Model

Indoor unit model CAC18CD(I)-WI
 Outdoor unit model CAC18CD(O)-WI

Certified



SYSTEM PERFORMANCE DATA

| | | |
|-------------------|---------|--------------------|
| Power supply | V-Ph-Hz | 220_230V_1Ph, 60HZ |
| Cooling Capacity | Btu/h | 18000 |
| Input | W | 1500.00 |
| Current | A | 6.7 |
| EER | W/W | 3.52 |
| SEER | Btu/W | 22.0 |
| Rated Power Input | W | 3000 |
| Rated Current | A | 14.0 |

INDOOR UNIT DATA

| | | |
|-------------------------------|-------|----------------|
| Indoor fan motor | | |
| Model | | ZKFP-30-8-297L |
| Input | W | / |
| Capacitor | uF | / |
| Speed(Hi/Mi/Lo) | r/min | 1250/900/750 |
| Indoor air flow (Hi/Mi/Lo) | m3/h | 800/600/520 |
| | CFM | 471/353/306 |
| Indoor noise level (Hi/Mi/Lo) | dB(A) | 45/40/30 |
| Indoor unit Dimension(W*D*H) | mm | 971x228x321 |
| | inch | 38.2x9.0x12.6 |
| Indoor unit Packing (W*D*H) | mm | 1045x305x405 |
| | inch | 41.1x12.0x15.9 |
| Indoor unit Net/Gross weight | kg | 11.0/14.2 |
| | lbs | 24.3/31.3 |

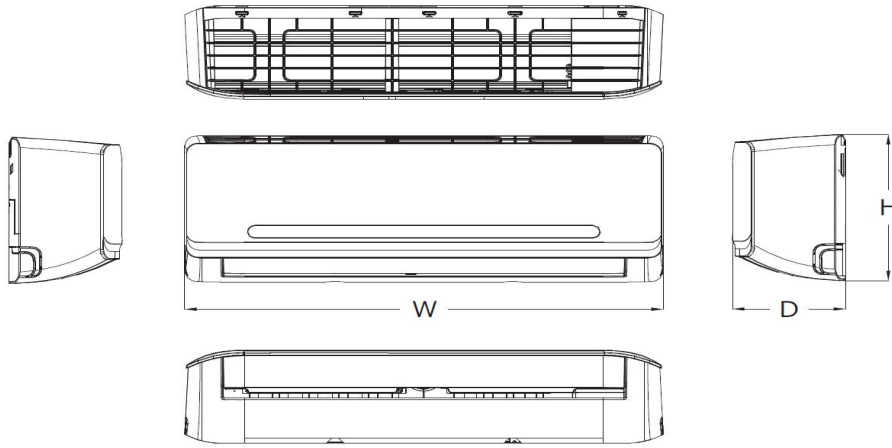
REFRIGERANT PIPE DATA

| | | |
|-----------------------------------|-----------------|-----------------------------|
| Compressor | | |
| Model | | KSK103D33UEZ3 |
| Type | | ROTARY |
| Brand | | GMCC |
| Capacity | W | 2035/3255 |
| Input | W | 325/826 |
| Rated current(RLA) | A | 2.40/5.65 |
| Refrigerant oil/oil charge | ml | ESTER OIL VG74 310 |
| Refrigerant piping | | |
| Liquid side/ Gas side | mm(inch) | 6.35mm(1/4in)/12.7mm(1/2in) |
| Max. refrigerant pipe length | m | 30 |
| | inch | 1181 |
| Max. difference in level | m | 20 |
| | inch | 787 |
| Connection wiring | | 16#x4 |
| Operation temperature | °C | 17~30 |
| | °F | 63~86 |
| Indoor temperature | °C | 16~32 |
| | °F | 63~90 |
| Outdoor temperature | °C | 0~50 |
| | °F | 34~122 |
| Application area (Cooling Standar | m ² | 24~35 |
| | ft ² | 258.2~376.6 |

OUTDOOR UNIT DATA

| | | |
|-------------------------------|-------|----------------|
| Outdoor fan motor | | |
| Model | | ZKFN-25-10-5L |
| Input | W | / |
| Capacitor | uF | / |
| Speed | r/min | 810/450 |
| Outdoor air flow | m3/h | 2100 |
| | CFM | 1235 |
| Outdoor noise level | dB(A) | 54 |
| Outdoor unit Dimension(W*D*H) | mm | 765x303x555 |
| | inch | 30.1x11.9x21.9 |
| Outdoor unit Packing (W*D*H) | mm | 887x337x610 |
| | inch | 34.9x13.3x24.0 |
| Outdoor unit Net/Gross weight | kg | 23.5/26.0 |
| | lbs | 51.8/57.3 |

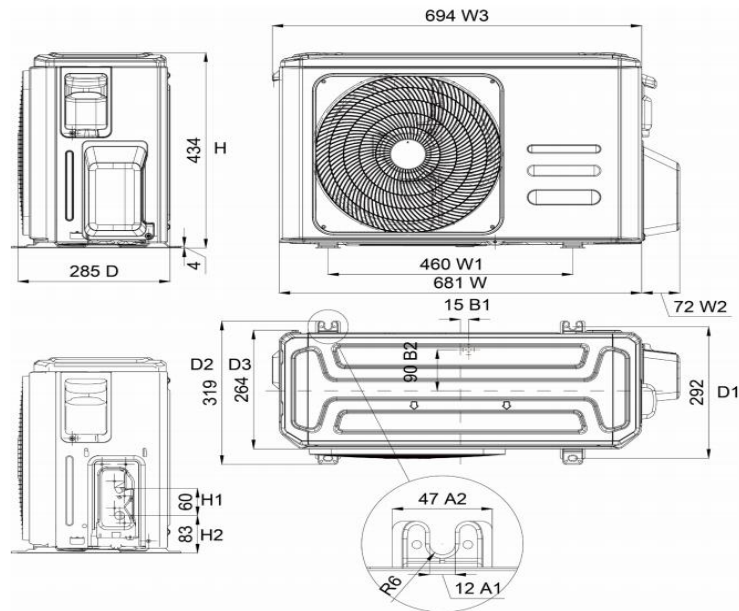
Indoor unit dimension



(The figure is for reference only)

| Dimension(inch) | W | D | H |
|-----------------|------|-----|------|
| CAC12CA(I)-WI | 31.6 | 7.9 | 11.6 |
| CAC12CD(I)-WI | 31.6 | 7.9 | 11.6 |
| CAC18CD(I)-WI | 38.2 | 9.0 | 12.6 |
| CAC24CD(I)-WI | 42.6 | 9.2 | 13.3 |

Outdoor unit dimension



(The figure is for reference only)

| Dimension(inch) | W | D | H |
|-----------------|------|------|------|
| CAC12CA(O)-WI | 28.3 | 10.6 | 19.5 |
| CAC12CD(O)-WI | 28.3 | 10.6 | 19.5 |
| CAC18CD(O)-WI | 30.1 | 11.9 | 21.9 |
| CAC24CD(O)-WI | 31.7 | 13.0 | 21.8 |