

Submittal

TAG: _____

PRODUCT NAME _____
LOCATION _____
ARCHITECT _____
ENGINEER _____
CONTRACTOR _____
SUBMITTED BY _____ DATA _____

UNIT SUMMARY

Quantity						
Unit Designation						
Model No.						
Cooling Input						
Cooling Output						
CFM/ESP						
Electrical						
Minimum Ampacity						
Max Overcurrent Protection						
Net Unit Weight						
Accessory						
Catalog Form Number						

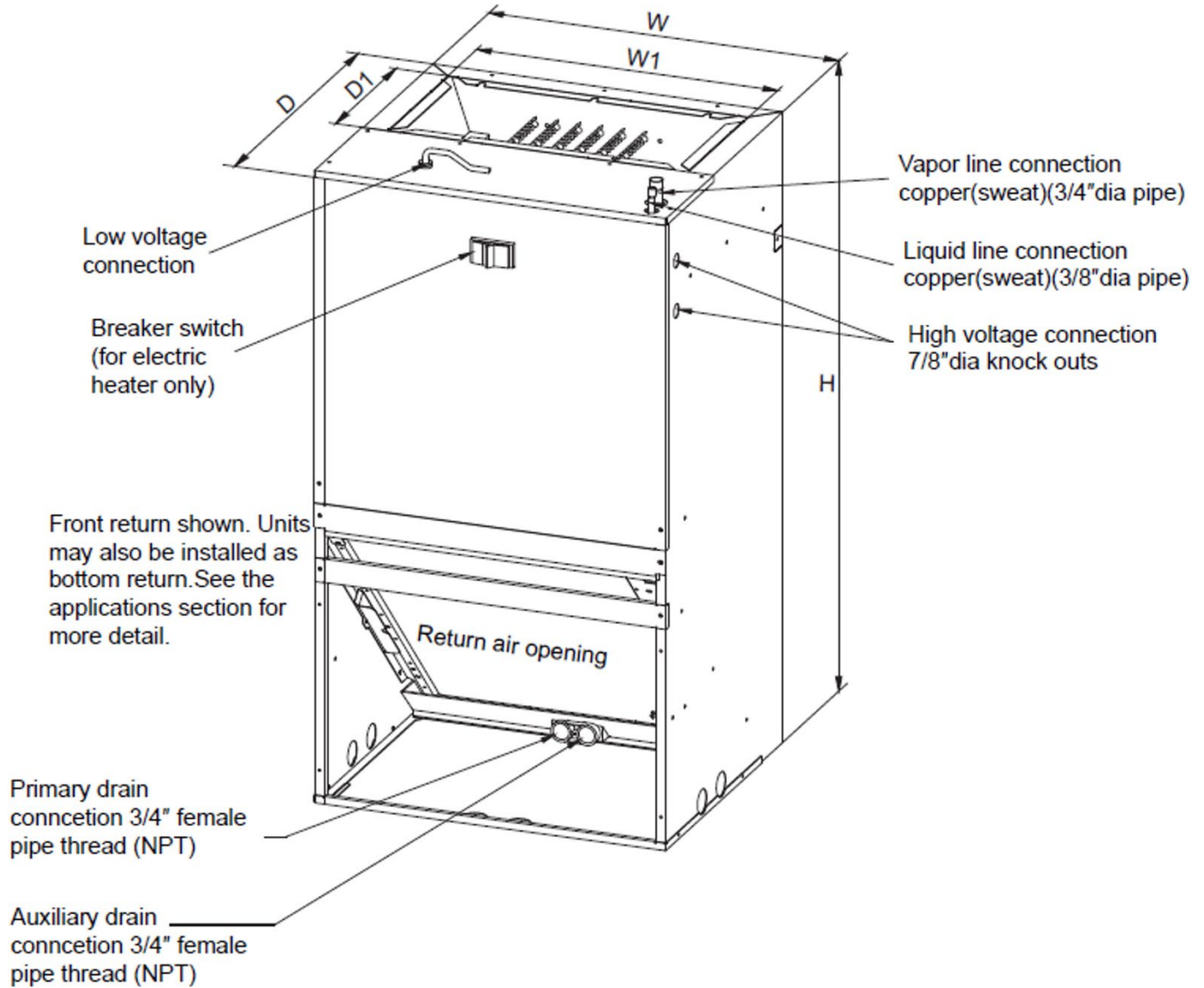
ACCESSORIES

NOTES

Air Handlers

CWM6 Series

Cooling capacity: 30kBTU/h



Model Size	Unit Height "H" in. [mm]	Unit Width "W" in. [mm]	Unit Length "D" in. [mm]	Supply Duct "W1"	Unit Weight (lbs.[kg])
18	36-1/2 [927]	20-2/3 [526]	15 [381]	17-1/2 [446]	81.4 [37]
24	36-1/2 [927]	20-2/3 [526]	15 [381]	17-1/2 [446]	81.4 [37]
30	39-1/2 [1004]	22 [559]	19 [483]	18-4/5 [478]	105 [48]
36	39-1/2 [1004]	22 [559]	19 [483]	18-4/5 [478]	105 [48]

Specifications

Model			CWM6-30E-15
Cooling	Capacity	Btu/h	29000
	SEER2	Btu/h.W	11.7
	EER2	Btu/h.W	14.3
Heating	Capacity	Btu/h	27600
	HSPF2	Btu/h.W	7.5
Refer to Room Area	square feet		441
MCA		A	5
MOP		A	6
Indoor fan motor	Type		ECM
	Power supply		AC220-240V/50 60Hz
	Model		DZJ-373F-12
	rate current	A	3.8
	Output	W	373
	Speed	rpm	1050
Indoor coil	Number of row		/
	Tube pitch(a)xrow pitch(b)	in	/
	Fin spacing	in	1/16
	Fin material		Hydrophilic
	Tube outside diameter	in	Φ 0.276
	Tube material		inner grooved
	Coil length x height x width	in	/
	Number of circuit		/
Indoor air flow		CFM	/
Indoor noise level		dB(A)	/
Throttling type			Piston
Electric heater		kW	5/7.5/10kW
Indoor dimension	Unit dimension(W*D*H)	in	22"x19"x39-1/2"
		mm	559×483×1004
	Packing (WxDxH)	in	24-1/2"x21-4/5"x42-1/10"
		mm	630*565*1070

Airflow Data

--- The highlighted area indicates the airflow within the required range of 300-450cfm/ton.

Note:

1. The advanced airflow must be used as the rated airflow for the full-load operation of the machine.
2. The rated airflow of a system without an electric heater kit requires 300 to 450 cubic feet of air per minute (CFM).
3. The rated airflow of a system with an electric heater kit requires 350 to 450 cubic feet of air per minute (CFM).
4. The air distribution system has the greatest influence on air flow. Therefore, the contractor should only use the procedures recognized by the industry.
5. The design and construction of air duct should be done carefully. Poor design or process will lead to a significant decline in system performance.
6. The air supply duct should be set along the periphery of the air-conditioned space with appropriate size. Improper location or insufficient airflow may lead to insufficient ventilation or noise in the ductwork.
7. The installer should balance the air distribution system to ensure that all rooms in the room have proper quiet airflow. The speedometer or airflow hood can be used to balance and verify the branch duct and system airflow (CFM)

Features

- High heat-transfer efficiency and low static-pressure drop coil.
- Foil-faced insulation to prevent energy loss through the cabinet.
- Factory-sealed cabinet certified to achieve 2% or less air leakage rate at 1.0-inch water column.
- Multi-stage blower Speed Control to align with varying capacity demands.
- 2-position installation: Front return air and rear return air
- condensate drain pans standard.
- Field-installed electric heater kits 5, 7.5, 10 kW available as accessories.
- Multiple electrical entry locations.
- volute and coil with slide track.
- Integrated filter rack with toolless door access.
- Easy-to-braze copper evaporator connection.
- Advanced internal welding process to reduce potential corrosion.
- AHRI and ETL listed.
- Fully insulated cabinet design.
- R454B refrigerant sensor ensures safe operation.
- R454B refrigerant sensor is factory-installed, making unit suitable for more room types and applications.

ComfortStar®

Add.: 12201 N W 107th Avenue Miami, FL 33178

1.866.524.9898 Toll Free

305.500.9898 Office

305.500.9896 Fax document.

<http://www.comfortstarusa.com>