



Submittal

Split System Cooling

CRT36-1

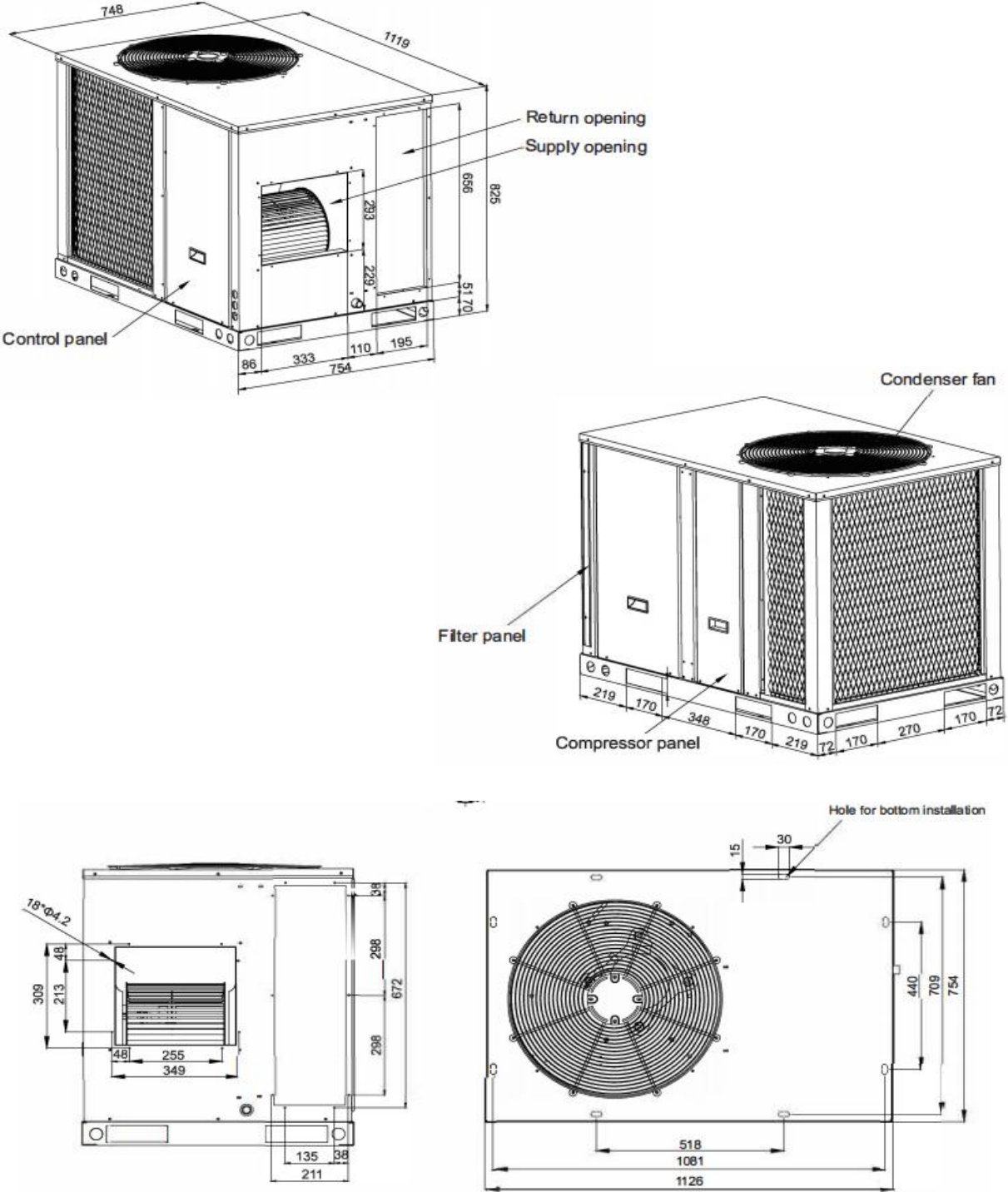
Location: _____
Engineer: _____
Submitted to: _____
Submitted by: _____
Reference: _____

Approval: _____
Date: _____
Construction: _____
Unit # : _____
Drawing # : _____



Note:" Graphics in this document are for representation only. Actual model may differ in appearance."

Unit dimension



Specification

| | | | |
|--|-----------------------|---------|---------------------|
| Model | | | CRT36-1 |
| Power supply | | V-Ph-Hz | 208-230V 1N~60HZ |
| Cooling | Capacity | Btu/h | 36000 |
| | Input | W | 3500 |
| | EER | Btu/h.W | 10.3 |
| | MCA | A | 21 |
| | MOP | A | 30 |
| Compressor | Model | | GVS295KAA |
| | Type | | Rotary |
| | Capacity | Btu/h | 28650 |
| | Input | W | 2933 |
| | Rated current(RLA) | A | 13.6 |
| | Locked rotor Amp(LRA) | A | 66.5 |
| Indoor fan motor | Model | | YDK-350F-6P3 |
| | Input | W | 527 |
| | Output | W | 350 |
| | Rated current | A | 2.4 |
| | Speed(hi/mi/lo) | r/min | 1045/970 |
| | Max.input | W | 611 |
| Indoor air flow | | m3/h | 2600 |
| | | CFM | 1529 |
| Indoor external static pressure (Hi) | | Pa | 50 |
| Outdoor fan motor | Model | | S.TB-DQ-YDK-230-6P2 |
| | Input | W | 452 |
| | Output | W | 230 |
| | Rated current | A | 1.9 |
| | Speed | r/min | 1110 |
| Outdoor air flow | | m3/h | 4100 |
| | | CFM | 2412 |
| Outdoor sound level(sound pressure level) | | dB(A) | 65 |
| Outdoor unit | Dimension(W*H*D) | inch | 45.1x33.3x29.7 |
| | Packing (W*H*D) | inch | 45.3x33.3x30.5 |
| | Net/Gross weight | lbs | 297.9/302.3 |
| Cooling Operation range | | °F | 63-118 |

ComfortStar®

12201 N W 107th Avenue
Miami, FL 33178
1.866.524.9898 Toll Free
305.500.9898 Office
305.500.9896 Fax
<http://www.comfortstarusa.com>



The AHRI mark indicates Comfortstar participating in the AHRI Certification program. Visit ahridirectory.org for verification of individual certified products. Comfortstar reserves the right to change design and specs without notice. Comfortstar has a policy of update the data continuously. We are committed to using environmentally conscious print practices.

CRT36-1 14 May 2024
Supersedes CRT36-1 (May.2024)

© 2024 ComfortStar