



# Submittal

## Split System Cooling

CRT60-1

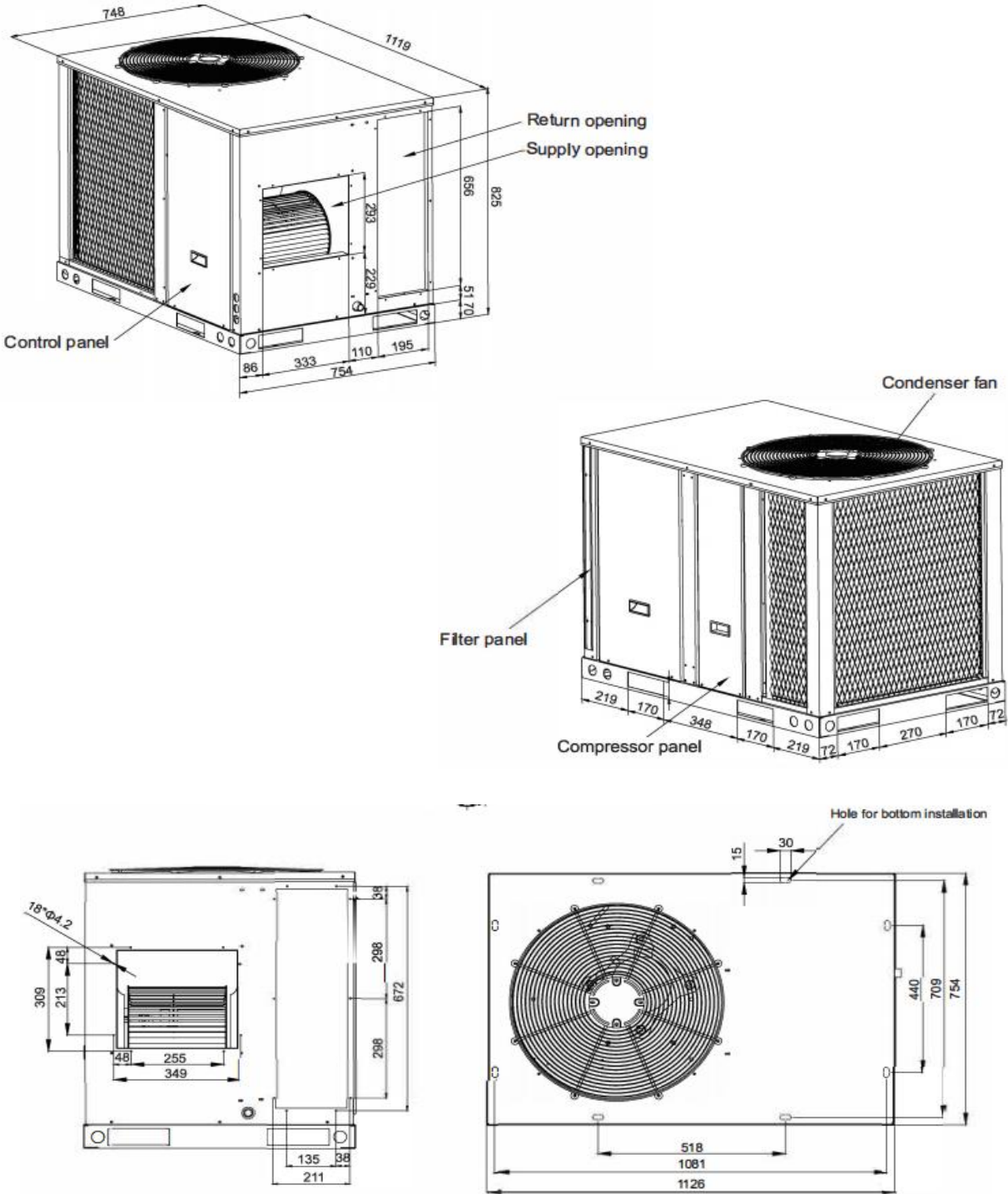
Location: \_\_\_\_\_  
 Engineer: \_\_\_\_\_  
 Submitted to: \_\_\_\_\_  
 Submitted by: \_\_\_\_\_  
 Reference: \_\_\_\_\_

Approval: \_\_\_\_\_  
 Date: \_\_\_\_\_  
 Construction: \_\_\_\_\_  
 Unit # : \_\_\_\_\_  
 Drawing # : \_\_\_\_\_



Note:" Graphics in this document are for representation only. Actual model may differ in appearance."

## Unit dimension



## Specification

<b>Model</b>			<b>CRT60-1</b>
Power supply		V-Ph-Hz	208-230V 1N~60HZ
Cooling	Capacity	Btu/h	55000
	Input	W	6000
	EER	Btu/h.W	9.2
	MCA	A	31
	MOP	A	50A
Compressor	Model		ABT054KAA
	Type		Scroll
	Capacity	Btu/h	54000
	Input	W	4820
	Rated current(RLA)	A	21.5
	Locked rotor Amp(LRA)	A	120
Indoor fan motor	Model		YDK-350F-6P3
	Input	W	527
	Output	W	350
	Rated current	A	2.4
	Speed(hi/mi/lo)	r/min	1045/970
	Max.input	W	611
Indoor air flow		m3/h	2600
		CFM	1529
Indoor external static pressure (Hi)		Pa	50
Outdoor fan motor	Model		S.TB-DQ-YDK-230-6P2
	Input	W	452
	Output	W	230
	Rated current	A	1.9
	Speed	r/min	1110
Outdoor air flow		m3/h	5600
		CFM	3294
Outdoor sound level(sound pressure level )		dB(A)	65
Outdoor unit	Dimension(W*H*D)	inch	45.1x33.3x29.7
	Packing (W*H*D)	inch	45.3x33.3x30.5
	Net/Gross weight	lbs	297.9/302.3
Cooling Operation range		°F	63-118

# ComfortStar®

12201 N W 107th Avenue  
Miami, FL 33178  
1.866.524.9898 Toll Free  
305.500.9898 Office  
305.500.9896 Fax  
<http://www.comfortstarusa.com>

---



The AHRI mark indicates Comfortstar participating in the AHRI Certification program. Visit [ahridirectory.org](http://ahridirectory.org) for verification of individual certified products. Comfortstar reserves the right to change design and specs without notice. Comfortstar has a policy of update the data continuously. We are committed to using environmentally conscious print practices.

CRT60-1 14 May 2024  
Supersedes CRT60-1 (May.2024)

© 2024 ComfortStar