



Submittal

Split System Cooling

CRT60-3

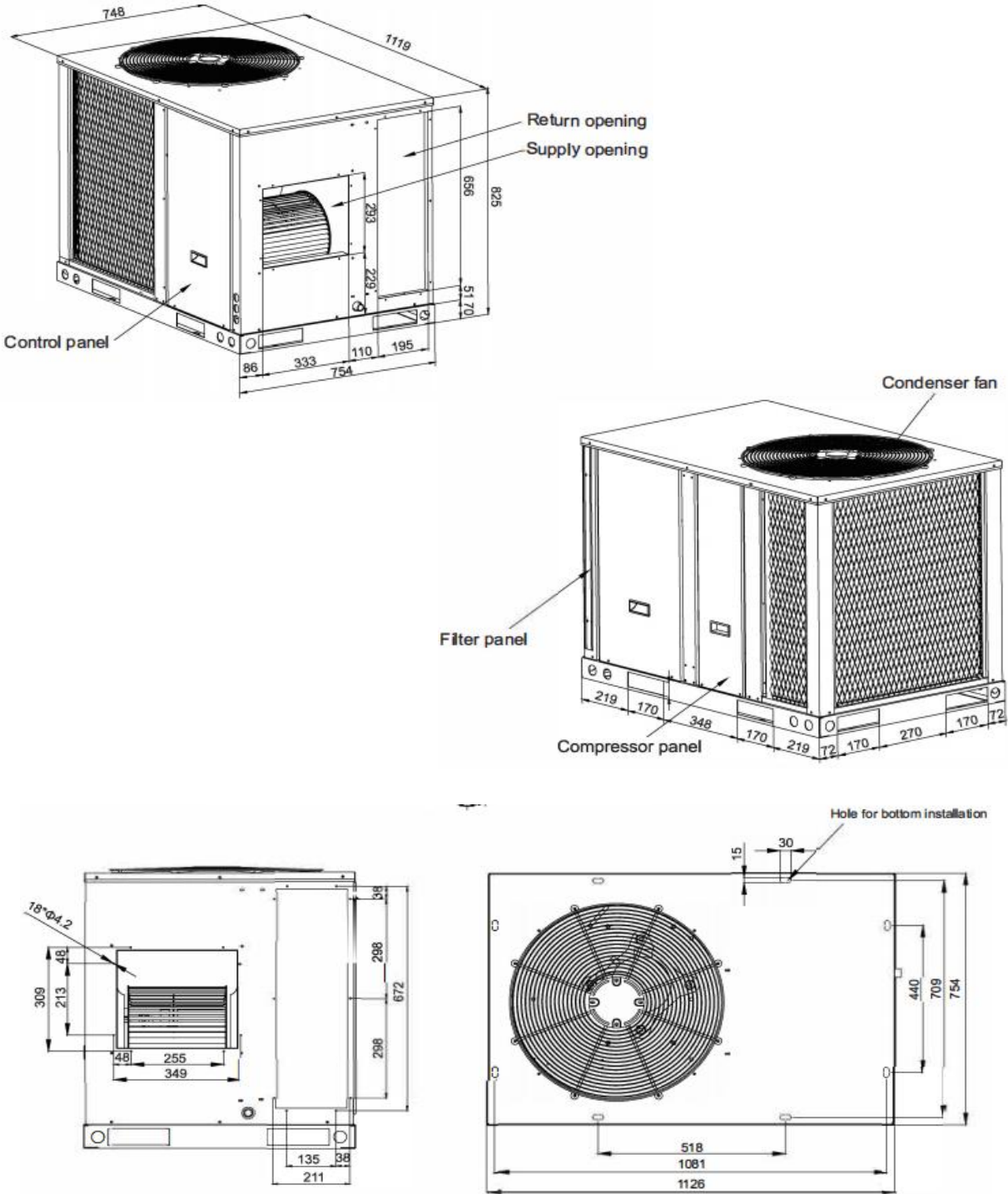
Location: _____
Engineer: _____
Submitted to: _____
Submitted by: _____
Reference: _____

Approval: _____
Date: _____
Construction: _____
Unit # : _____
Drawing # : _____



Note:" Graphics in this document are for representation only. Actual model may differ in appearance."

Unit dimension



Specification

Model			CRT60-3
Power supply		V-Ph-Hz	208-230V 3N~60HZ
Cooling	Capacity	Btu/h	55000
	Input	W	5500
	EER	Btu/h.W	10.0
	MCA	A	24
	MOP	A	40
Compressor	Model		ABT054RMA
	Type		Scroll
	Capacity	Btu/h	54200
	Input	W	5160
	Rated current(RLA)	A	16.2
	Locked rotor Amp(LRA)	A	135
Indoor fan motor	Model		YDK-350F-6P3
	Input	W	527
	Output	W	350
	Rated current	A	2.4
	Speed(hi/mi/lo)	r/min	1045/970
	Max.input	W	611
Indoor air flow		m3/h	2600
		CFM	1529
Indoor external static pressure (Hi)		Pa	50
Outdoor fan motor	Model		S.TB-DQ-YDK-230-6P2
	Input	W	452
	Output	W	230
	Rated current	A	1.9
	Speed	r/min	1110
Outdoor air flow		m3/h	5600
		CFM	3294
Outdoor sound level(sound pressure level)		dB(A)	65
Outdoor unit	Dimension(W*H*D)	inch	45.1x33.3x29.7
	Packing (W*H*D)	inch	45.3x33.3x30.5
	Net/Gross weight	lbs	297.9/302.3
Cooling Operation range		°F	63-118

ComfortStar®

12201 N W 107th Avenue
Miami, FL 33178
1.866.524.9898 Toll Free
305.500.9898 Office
305.500.9896 Fax
<http://www.comfortstarusa.com>



The AHRI mark indicates Comfortstar participating in the AHRI Certification program. Visit ahridirectory.org for verification of individual certified products. Comfortstar reserves the right to change design and specs without notice. Comfortstar has a policy of update the data continuously. We are committed to using environmentally conscious print practices.

CRT60-3 14 May 2024
Supersedes CRT60-3 (May.2024)

© 2024 ComfortStar