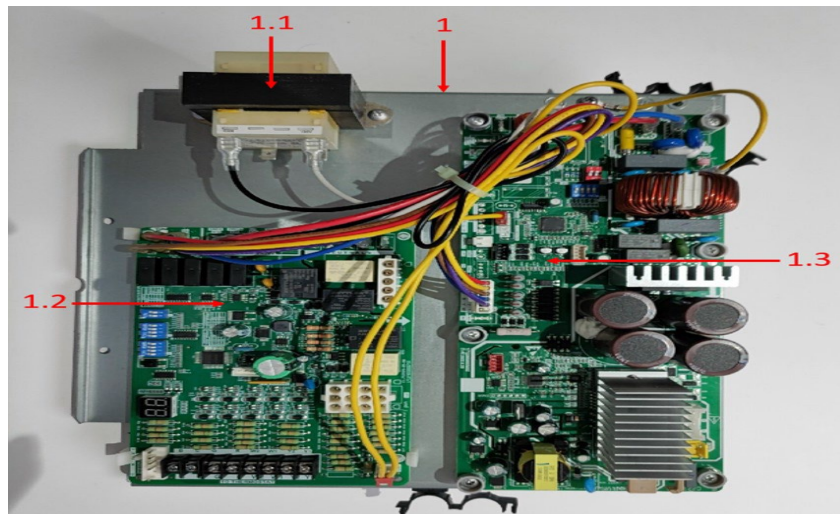
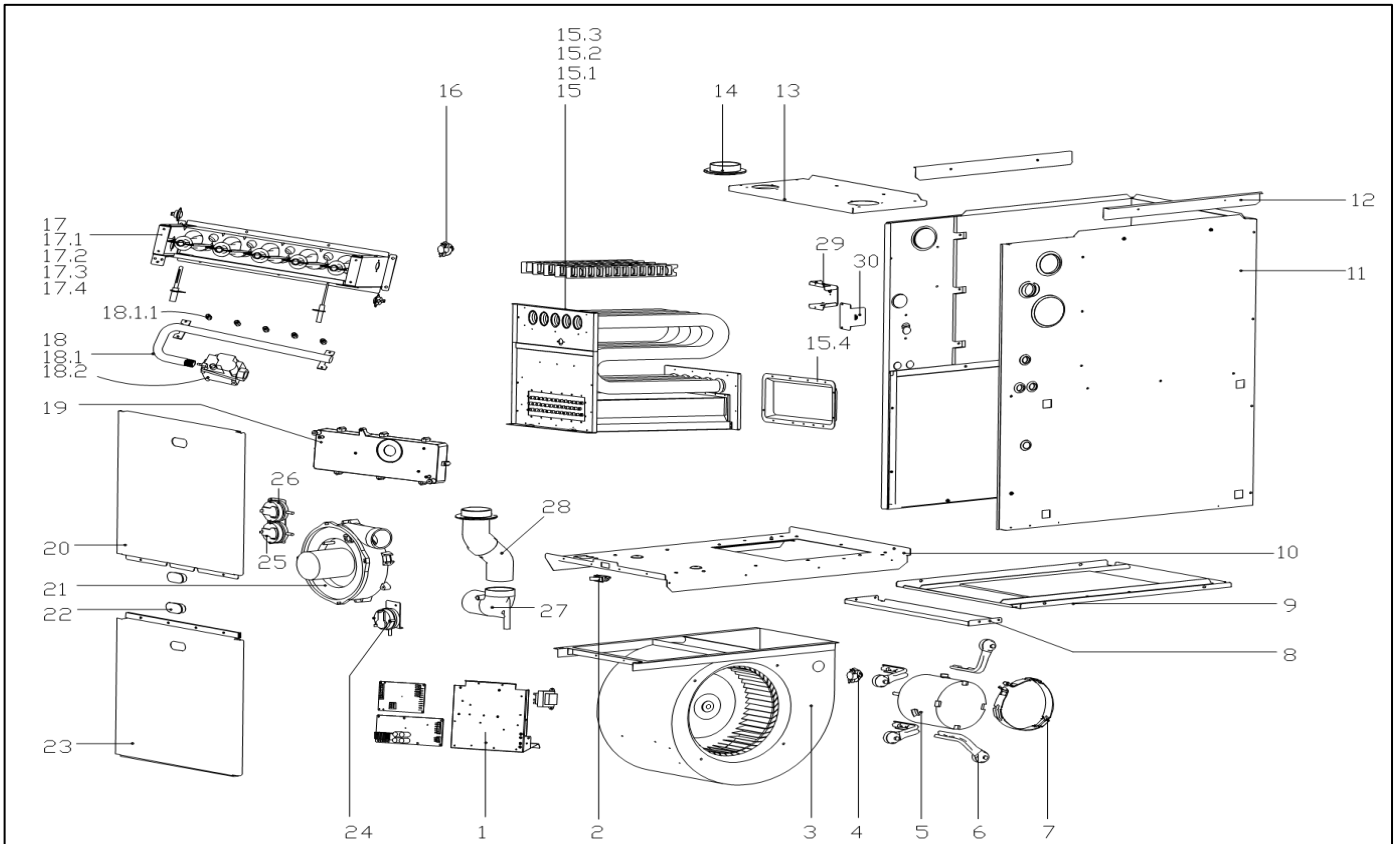


Exploded View

Model 96U080C4C (26Z)

Service code: 26Z

ComfortStar®



| EX_ID | Spare Parts Code | Part Name(EN) | Qty. | Price | Remarks |
|--------|------------------|-----------------------------------|------|-------|---------|
| 1 | 17227600002143 | E-part box assembly | 1.0 | | |
| 1.1 | 11203103000197 | Linear Transformer | 1.0 | | |
| 1.2 | 17127600001869 | Main control board assembly | 1.0 | | |
| 1.3 | 17127600A00081 | Fan module board assembly | 1.0 | | |
| 2 | 17427600001148 | Door switch | 1.0 | | |
| 3 | 12200102000031 | Centrifugal fan | 1.0 | | |
| 4 | 17400513000874 | Thermostat | 2.0 | | |
| 5 | 11002015016398 | Brushless DC Motor | 1.0 | | |
| 6 | 12223000001933 | Motor bracket ass'y I | 4.0 | | |
| 7 | 12223000001993 | Motor bracket II | 1.0 | | |
| 8 | 12227600003214 | Support Plate | 1.0 | | |
| 9 | 12227600000819 | Base sealplate assembly | 1.0 | | |
| 10 | 12227600004601 | Partition board assembly | 1.0 | | |
| 11 | 12227600004645 | Cabinet assembly | 1.0 | | |
| 12 | 12227600000274 | Supporting bar assembly | 2.0 | | |
| 13 | 12227600003208 | Cover assembly | 1.0 | | |
| 14 | 12127600000010 | Air inlet pipe joint | 1.0 | | |
| 15 | 15727100000713 | Heat exchanger assembly | 1.0 | | |
| 15.1 | 15727600000010 | Primary heat exchanger assembly | 1.0 | | |
| 15.2 | 15827600000051 | Secondary heat exchanger assembly | 1.0 | | |
| 15.3 | 12227600000059 | Spoiler | 4.0 | | |
| 15.4 | 12227600000235 | Back gas-collecting cover | 1.0 | | |
| 16 | 17400513001114 | Thermostat | 1.0 | | |
| 17 | 12227600001400 | Combustor assembly | 1.0 | | |
| 17.1 | 17400513000045 | Thermostat | 2.0 | | |
| 17.2 | 17427600000007 | Firing pin | 1.0 | | |
| 17.3 | 11201006000010 | Special sensor | 1.0 | | |
| 17.4 | 17427600000004 | Combustor | 4.0 | | |
| 18 | 15427600000060 | Gas pipe assembly | 1.0 | | |
| 18.1 | 15427600000002 | Gas pipe assembly | 1.0 | | |
| 18.1.1 | 15527600000001 | Copper nozzle | 4.0 | | |

| | | | | | |
|------|----------------|-----------------------------------|-----|--|--|
| 18.2 | 17427600001389 | Gas Valve | 1.0 | | |
| 19 | 12127600000932 | Drainage pan assembly | 1.0 | | |
| 20 | 12227600003205 | Cover assembly | 1.0 | | |
| 21 | 17400801010489 | Exhaust fan components | 1.0 | | |
| 22 | 12127600000009 | Plastic cover | 2.0 | | |
| 23 | 12227600003219 | Cover assembly | 1.0 | | |
| 24 | 17400515000016 | Wind pressure switch | 1.0 | | |
| 25 | 17400515000420 | Air switch | 1.0 | | |
| 26 | 17400515000421 | Air switch | 1.0 | | |
| 27 | 12127600000015 | Smoke exhaust elbow | 1.0 | | |
| 28 | 12127600000016 | Smoke exhaust pipe joint assembly | 1.0 | | |
| 29 | 12227600000818 | Junction box | 1.0 | | |
| 30 | 12227600000817 | Junction box cover | 1.0 | | |