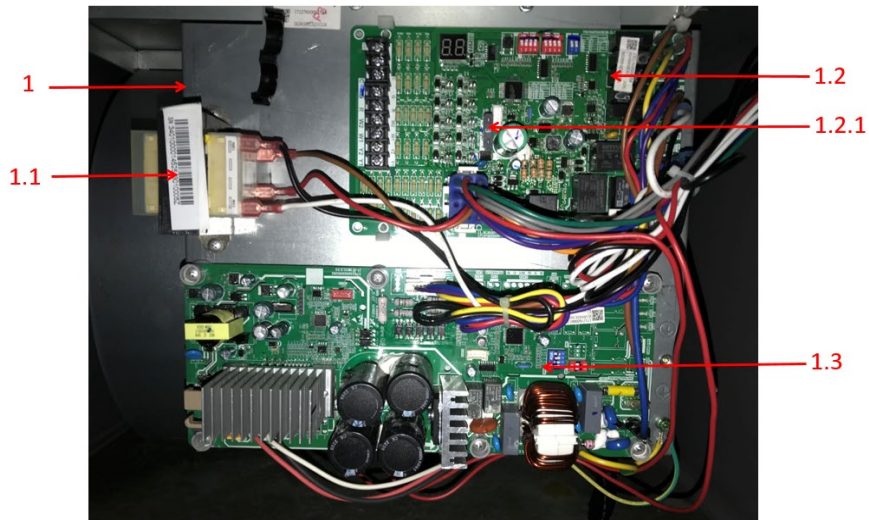
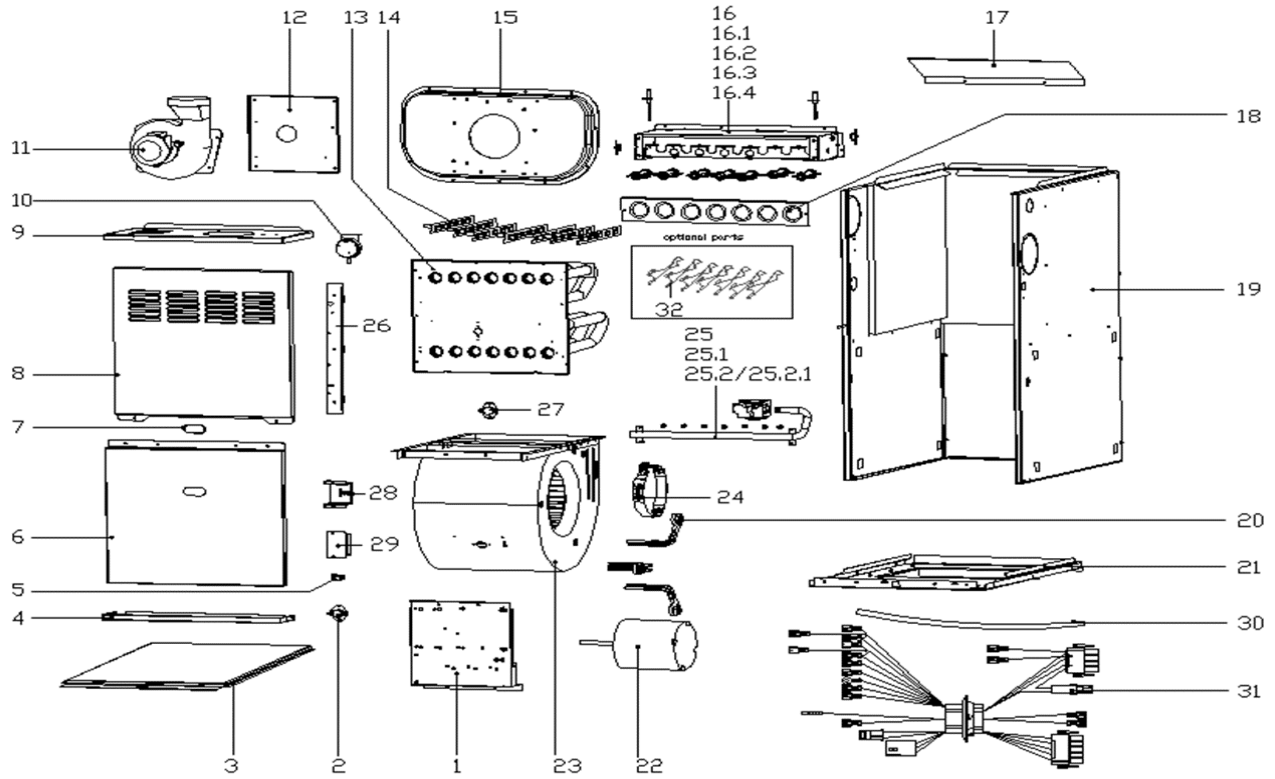


Exploded View

Model CG7-80-120D (26W)

ComfortStar®

Service Code: 26W



EX_ID	Spare Parts Code	Part Name(EN)	Qty.	Price	Remarks
1	17227600001584	E-part box assembly	1.0		
1.1	11203103000197	Linear Transformer	1.0		
1.2	17127600002290	Main control board assembly	1.0		
1.2.1	11203001001353	Fuse	1.0		
1.3	17127600A00061	Fan module board assembly	1.0		
2	17400513002815	Temperature switch	1.0		
3	12227600000099	Sealing plate	1.0		
4	12227600002725	Support Plate assembly	1.0		
5	17427600001148	Door switch	1.0		
6	12227600002072	Cover	1.0		
7	12127600000009	Plastic cover	1.0		
8	12227600002070	Cover	1.0		
9	12227600002165	Cover assembly	1.0		
10	11201008000002	Pressure sensor	1.0		
11	17400801000223	Exhaust fan ass'y	1.0		
12	12227600000242	Exhaust baffles	1.0		
13	15727600000007	Heat exchanger ass'y	1.0		
14	12227600000058	Spoiler	7.0		
15	12227600000237	Gas-collecting hood	1.0		
16	12227600002760	Burner ass'y	1.0		
16.1	11201006000010	Special sensor	1.0		
16.2	17427600000007	Ignition needle	1.0		
16.3	17400513000045	Ignition needle	2.0		
16.4	17427600000005	Burner	7.0		
17	12227600000021	Air channel damper	1.0		
18	12227600000232	Deflector	1.0		
19	12227600004426	Cabinet Components	1.0		
20	12223000001932	Motor bracket ass'y I	3.0		
21	12227600004122	Partition board ass'y	1.0		
22	11002015016398	Partition board ass'y	1.0		
23	12200102000030	Centrifugal fan	1.0		

24	12223000001992	Supporter of fan motor	1.0		
25	15427600000102	Gas pipe ass'y	1.0		
25.1	17427600001389	gas valve	1.0		
25.2	15427600000104	Gas Components	1.0		
25.2.1	15527600000003	Copper nozzle	7.0		
26	12227600004100	Support Plate assembly	2.0		
27	17400513003815	Temperature switch	1.0		
28	12227600000818	Junction box	1.0		
29	12227600000817	Junction box cover	1.0		
30	12627600000010	Silicone tube	1.0		
31	17401203023509	Strong electric cable group	1.0		