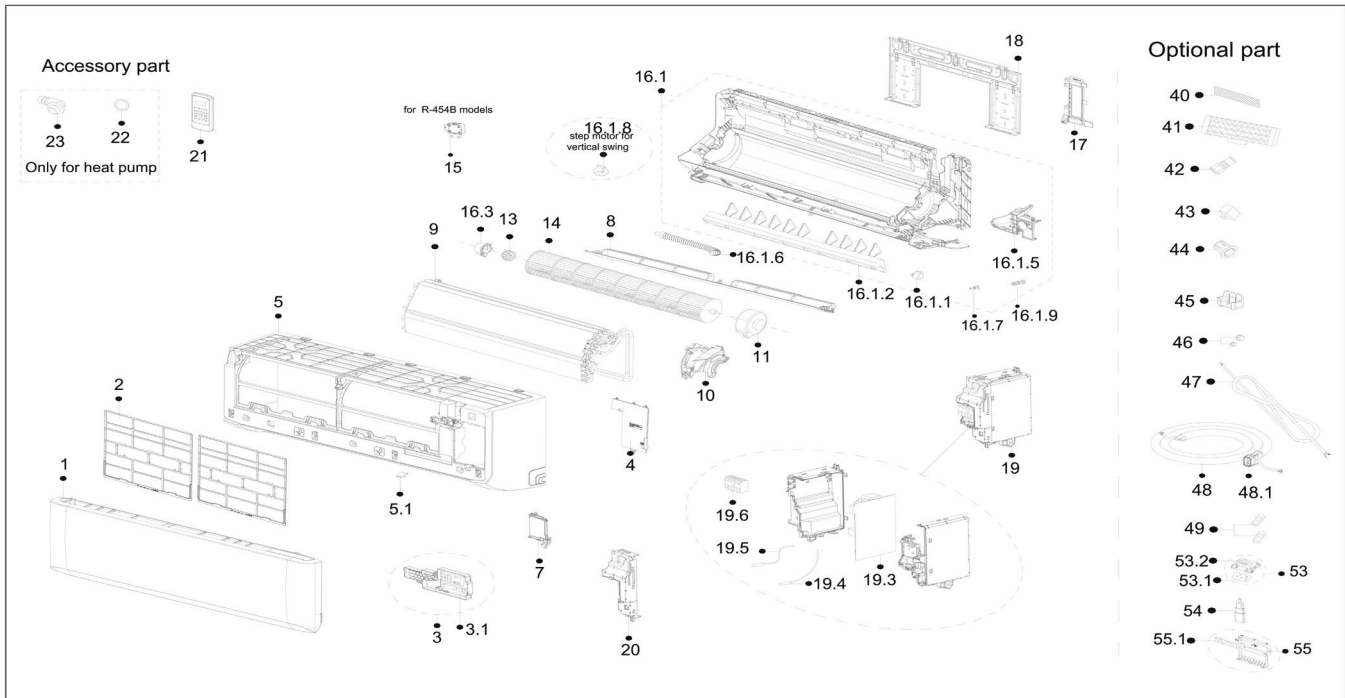


# Exploded View

**Model** CAC12CD(I)-WIU (297)

**ComfortStar®**

**Service code:** 297



EX_ID	Spare Parts Code	Part Name(EN)	Qty.	Price	Remarks
1	12122000026084	Panel assembly	1		CE-KFR35G/N1Y-AG11.1 (TJ)
2	12100204000522	Air filter	2		
3	17222000045424	Display box assembly	1		
3.1	17122000062279	Display board assembly	1		US1-KFR53G/BP3N10
4	12122000024739	Cover for electrical parts	1		
5	12122000025543	Panel frame assembly	1		
5.1	12122000013139	Screw cover	1		
7	12122000032628	Cover of wiring terminal	1		
8	12122000025544	Horizontal louver	1		
9	15822000010970	evaporator assembly	1		

10	12122000029503	Motor Cover	1		
11	11002015018882	Motor	1		ZKFP-30-8-357L
13	12622000000131	bearing base	1		
14	12100102000576	Cross flow fan	1		GL-96*608-IN
16	12122000027924	Chassis assembly	1		
16.1	12122000027923	Chassis assembly	1		
16.1.1	11002010000143	Stepper motor	1		SM-24-19-16-8
16.1.2	12122000024736	louver assembly	1		
16.1.5	12122000024735	Ratproof baffle	1		
16.1.6	12100501000032	Drain pipe joint	1		
16.1.7	12122000000344	Insulated axis	1		
16.1.9	12622000000030	Drainage plug	1		
16.3	12122000000350	bearing holder	1		
17	12122000012943	Pipe clamp board	1		
18	12222000000018	Installation plate	1		
19	17222000045492	Structural components of indoor electric control box	1		
19.3	17122000065878	Indoor main control board subassembly	1		US1-KE32G/BP3N8Y-CGQ-
19.4	11201007003424	Ambient temperature sensor subassembly	1		WD/SW4100-CGQ-
19.5	11201007003447	Pipe temperature sensor subassembly	1		WD/GW4100-
19.6	17400401000576	Terminal block	1		JXZ-AD5ZG2-A
20	12122000032643	Cover of electronic control box	1		
21	17317000007558	remote controller	1		RG51A(2)/EU1
40	12100204000685	Air freshening filter	1		
42	15500209000001	Detection valve	1		
46	15500406000016	Copper nut	1		TLM-A01
46	15500406000012	Copper nut	1		TLM-C03