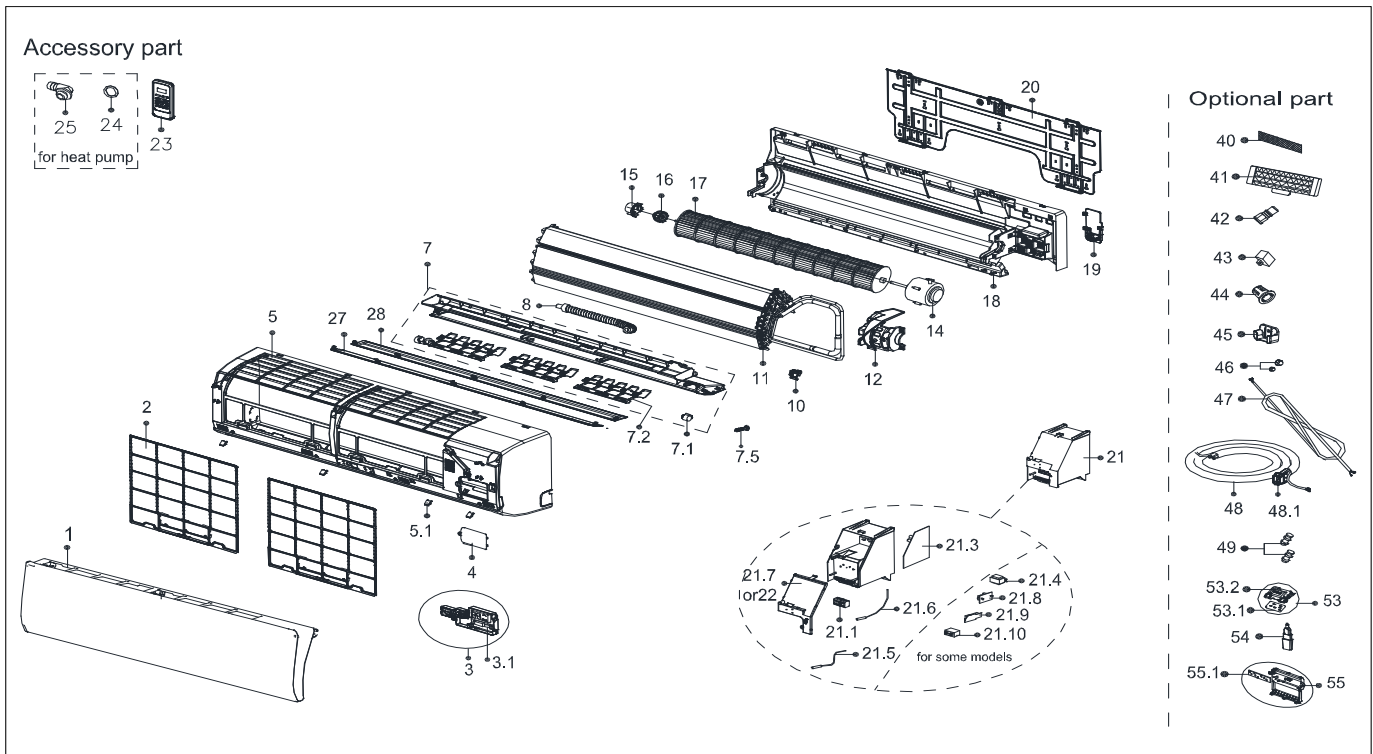


Exploded View

Model CAC36CD(I)-WIU (29D)

ComfortStar®

Service code: 29D



EX_ID	Spare Parts Code	Part Name(EN)	Qty.	Price	Remarks
1	12122000028801	Panel assembly	1		CE-KFR90G/N1Y-AG1.1(TJ)
2	12122000025962	Air filter	2		
3	17222000043342	Display box assembly	1		
3.1	17122000062279	Display board assembly	1		US1-KFR53G/BP3N10
4	12122000006694	Cover of electrical equipment	1		
5	12122000001931	Panel frame assembly	1		
5.1	12122000006272	Screw cap	4		
7	12122000028165	Air outlet assembly	1		
7.1	11002010001666	Louver motor	1		SM-24-19-16-31-1
7.2	12122000000148	Vertical vane	3		KSA-KT3FR90G/Y-

7.5	12600801000081	Drainage plug	1		
8	12100501000021	Drain hose	1		
10	12122000024323	Fix clamp of temperature sensor	1		
11	15822000008462	Evaporator assembly	1		
12	12122000005475	Fan motor cover	1		
14	11002015017613	Fan motor	1		ZKFP-58-8-20L
15	12122000000350	Bearing holder	1		
16	12622000000131	Bearing base	1		
17	12100102000084	Cross flow fan	1		GL-118*955-I
18	12122000003909	Chassis assembly	1		
19	12122000035044	Pipe clamp board	1		
20	12222000000029	Installation plate	1		
21	17222000045510	Electronic control box assembly	1		
21.1	17400401000576	Wire joint	1		JXZ-AD5ZG2-A
21.3	17122000065865	Indoor main control board assembly	1		US1- KE105G/BP3N8Y-
21.5	11201007003424	Ambient temperature sensor assembly	1		CGQ- WD/SW4100-
21.6	11201007003447	Pipe temperature sensor assembly	1		CGQ- WD/GW4100-
21.7	12122000005040	Cover of electronic control box	1		
23	17317000007564	Remote Controller	1		RG10A(B2S)/BG FFU1
24	12600701000039	Seal ring	1		
25	12100509000061	Drain joint	1		
27	12122000006106	Horizontal louver (above)	1		
28	12122000008092	Horizontal louver (below)	1		
40	12100204000685	Air freshening filter	1		
42	15500209000002	Detection valve	1		
46	15500406000010	Copper nut	1		TLM-B02
46	15500406000003	Copper nut	1		TLM-D04
55	17222000043342	Adapter plate subassembly	1		