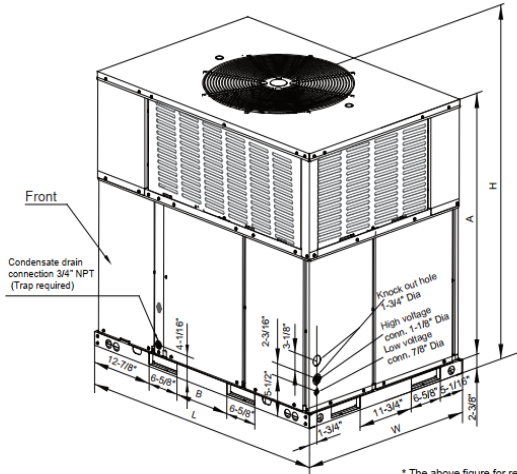


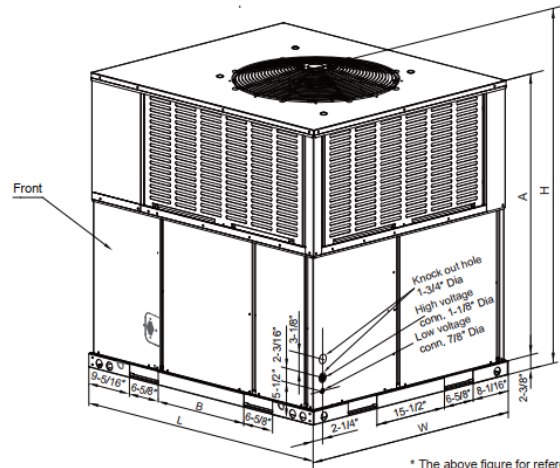
# Submittal

TAG:

## R454B CDP7 Series Packaged Rooftop Cooling capacity: 36K BTU/h



\* The above figure for ref



\* The above figure for reference purpose only.

Model	"L" in.[mm]	"W" in.[mm]	"H" in.[mm]	"A" in.[mm]	"B" in.[mm]
24,30,36	50-11/16 [1287]	35-1/16 [891]	46-13/16 [1190]	44-1/16 [1120]	11-3/4 [298]
42,48,60	51-9/16 [1310]	44-13/16 [1140]	51-7/16 [1306]	47-5/16 [1202]	19-11/16 [500]

# Specifications

		<b>CDP7-36-15</b>
<b>NOMINAL CAPACITY</b>		
	Cooling (BTU/h)	34,000
	Heating (BTU/h)	34,200
<b>ELECTRICAL DATA</b>		
	Voltage / Phase (60 Hz)	208/230V-1Ph
	Min. / Max. Voltage (V)	187/253
	Min. Circuit Amps (MCA) (A)	27.7
	Max. Overcurrent Protection (MOP) (A)	35
<b>COMPRESSOR</b>		
	Type	Rotary
	Stage	Single
	Rated Load Amps (RLA) (A)	18
	Locked Rotor Amps (LRA) (A)	72
<b>OUTDOOR COIL</b>		
	Type	Tube & Fin
	Tube Size (O.D) (in)	9/32
<b>OUTDOOR FAN MOTOR</b>		
	Motor Type	PSC
	Capacitor (uF)	6
	Horsepower (HP)	1/6
	Full Load Amps (FLA) (A)	1.0
	Rated RPM	840
<b>INDOOR COIL</b>		
	Type	Tube & Fin
	Tube Size (O.D) (in)	9/32
<b>INDOOR BLOWER MOTOR</b>		
	Motor Type	ECM
	Capacitor (uF)	/
	Horsepower (HP)	1/2
	Full Load Amps (FLA) (A)	4.2
	Rated RPM	880
<b>REFRIGERATION SYSTEM</b>		
	Refrigerant Control	Orifice
	Refrigerant Charge (lbs. - oz.)	6 lbs. 13 oz.
<b>SOUND POWER</b>	<b>(dB(A))</b>	78
<b>OPERATION RANGE</b>		
	Cooling (°C)	10~51.7
	Cooling (°F)	50~125
	Heating (°C)	-15~30
	Heating (°F)	5~86
<b>Dimension &amp; Weight</b>		
Unpacking (W*H*D)	mm	891 x 1190 x 1287
	inch	35-1/16 x 46-13/16 x 50-11/16
Packing (W*H*D)	mm	937 x 1256 x 1330
	inch	36-7/8 x 49-7/16 x 52-3/8
Net/Gross weight	kg	189/198
	lb	415/435
Shipping per STD 40HQ		42
SERVICE CODE		30T

# Airflow Data

208V

Model Number	Motor Speed		External Static Pressure-Inches W.C. [kPa]									
			0[0]	0.1[.02]	0.2[.05]	0.3[.07]	0.4[.10]	0.5[.12]	0.58	0.6[.15]	0.7[.17]	0.8[.20]
24	Low	CFM	941.2	839.3	782.6	729.7	638.4	552.1	479.2	464.4	386.5	326.7
		Current2/A	1.01	0	0	0	0	0	0	0	0	0
		Power2/W	231	226	222	218	213	210	207	206	200	195
	Middle-Factory	SCFM	1163.1	1045.6	989.5	933.5	873.3	821.7	723	708.2	608	502.3
		CFM	1.38	1.35	1.33	1.31	1.28	1.26	1.23	1.23	1.2	1.17
		Current2/A	315	306	301	296	289	282	273	272	266	257
	High	Power2/W	1304.5	1182.4	1107.8	1044.2	982.9	932.5	869.6	824.8	713.5	594.2
		CFM	1.66	1.6	1.58	1.55	1.53	1.5	1.48	1.46	1.43	1.4
		Current2/A	371	355	348	341	335	326	318	314	306	297
30	Low (Tap2)	CFM	1145.1	1088	1001.4	952.5	897.7	840.7	779.9	761.3	686.4	619
		Current/A	1.86	1.9	1.95	1.98	2.02	2.05	2.1	2.1	2.14	2.19
		Power/W	190	200	200	210	211	220	229	230	232	240
	Middle (Tap3) - Factory	CFM	1279.3	1233.8	1142	1095.8	1054.2	1006.1	969.8	959.6	887.5	821
		Current/A	2.28	2.33	2.39	2.43	2.46	2.51	2.54	2.55	2.62	2.67
		Power/W	258	260	270	280	281	290	298	300	310	317
	High (Tap4)	CFM	1458.9	1420.2	1376.1	1287.4	1250.4	1212.5	1179.1	1171.5	1132.4	1090.5
		Current/A	3.03	3.1	3.15	3.23	3.28	3.33	3.37	3.37	3.43	3.48
		Power/W	370	380	390	400	410	415	420	420	430	440
36	Low (Tap3)	CFM	1279.3	1233.8	1142	1095.8	1054.2	1006.1	969.8	959.6	887.5	821
		Current/A	2.28	2.33	2.39	2.43	2.46	2.51	2.54	2.55	2.62	2.67
		Power/W	258	260	270	280	281	290	298	300	310	317
	Middle (Tap4)	CFM	1458.9	1420.2	1376.1	1287.4	1250.4	1212.5	1179.1	1171.5	1132.4	1090.5
		Current/A	3.03	3.1	3.15	3.23	3.28	3.33	3.37	3.37	3.43	3.48
		Power/W	370	380	390	400	410	415	420	420	430	440
	High (Tap5) - Factory	CFM	1516.3	1477.6	1436.4	1344.6	1308	1270.3	1239	1230.7	1194.1	1154.8
		Current/A	3.3	3.37	3.43	3.52	3.56	3.61	3.65	3.66	3.71	3.76
		Power/W	410	420	430	445	450	460	462	464	470	480
42	Low (Tap2)	CFM	1425.7	1365.3	1297.9	1230.9	1161.2	1097.1	1043	1027	952.8	876.1
		Current/A	1.99	2.05	2.11	2.17	2.23	2.3	2.37	2.38	2.46	2.53
		Power/W	210	220	230	240	250	260	270	270	280	290
	Middle (Tap3) - Factory	CFM	1604.2	1550.3	1493.9	1431.4	1371.7	1311.9	1252.6	1253.4	1189.8	1126.2
		Current/A	2.52	2.58	2.66	2.73	2.8	2.87	2.93	2.95	3.03	3.11
		Power/W	290	300	310	320	330	341	350	355	370	380
	High (Tap4)	CFM	1934.1	1992.4	1884.3	1797	1742.7	1690.4	1653.4	1643.3	1590.5	1540.7
		Current/A	3.38	3.93	4.01	4.09	4.18	4.27	4.33	4.34	4.43	4.52
		Power/W	490	500	511	529	540	551	560	562	580	590
48	Low - Factory	CFM	1989	1934	1876	1812	1737	1653	1583	1567	1476	1354
		Current/A	17.38	17.24	17.17	17.09	16.98	16.89	16.81	16.77	16.64	16.48
		Power/W	3987	3956	3937	3919	3893	3872	3855	3845	3814	3777
	Middle	CFM	2115	2048	1980	1914	1834	1739	1662	1645	1547	1427
		Current/A	17.69	17.56	17.44	17.36	17.25	17.13	17.06	17.06	16.92	16.77
		Power/W	4056	4026	3998	3979	3953	3925	3909	3910	3877	3841
	High	CFM	2242	2164	2088	2006	1921	1821	1735	1721	1614	1496
		Current/A	18.12	18.04	17.92	17.81	17.66	17.55	17.44	17.44	17.31	17.15
		Power/W	4151	4133	4105	4079	4043	4018	3992	3993	3963	3924
60	Low (Tap3)	CFM	1604.2	1550.3	1493.9	1431.4	1371.7	1311.9	1252.6	1253.4	1189.8	1126.2
		Current/A	2.52	2.58	2.66	2.73	2.8	2.87	2.93	2.95	3.03	3.11
		Power/W	290	300	310	320	330	341	350	355	370	380
	Middle (Tap4)	CFM	1934.1	1992.4	1884.3	1797	1742.7	1690.4	1653.4	1643.3	1590.5	1540.7
		Current/A	3.38	3.93	4.01	4.09	4.18	4.27	4.33	4.34	4.43	4.52
		Power/W	490	500	511	529	540	551	560	562	580	590
	High (Tap5) - Factory	CFM	2033.1	1984.5	1939	1891.9	1837.6	1788	1748.9	1739.8	1687.2	1640.2
		Current/A	4.35	4.42	4.48	4.56	4.65	4.73	4.8	4.81	4.9	4.99
		Power/W	567	575	586	599	610	620	630	634	650	660

--- Shaded boxes represent airflow outside the required 300 to 450 cfm/ton, which are not recommended

## Features

- Quiet horizontal discharge.
- Compatible with side and bottom air discharge
- Power-painted galvanized steel cabinet.
- Electric heat kit available as a field-installed option: 5/8/10/15/20kW.
- High-efficiency compressors operate smoothly, quietly, and consistently.
- Internal safeguards protect the compressor against high and low pressure, and coil temperature.
- Aluminum tube/aluminum fin coil.
- High-efficiency ECM blower motor.
- AHRI Certified and ETL listed.
- Compliant with UL-60335 certification.
- Uses more environmentally friendly R454B refrigerant.
- Full DC variable speed condenser motor, more efficient, smarter, and quieter.

**ComfortStar**<sup>®</sup>



Add.: 12201 N W 107th Avenue Miami, FL 33178

1.866.524.9898 Toll Free

305.500.9898 Office

305.500.9896 Fax document.

<http://www.comfortstarusa.com>