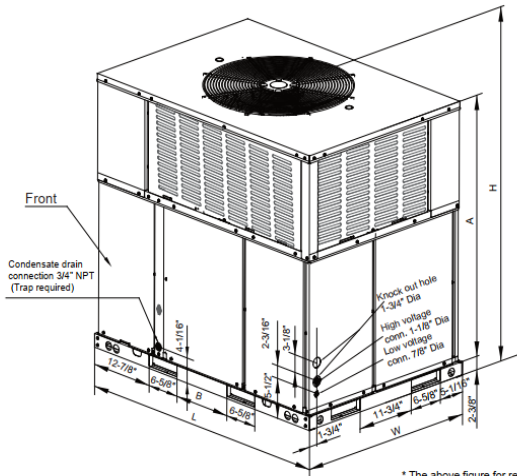


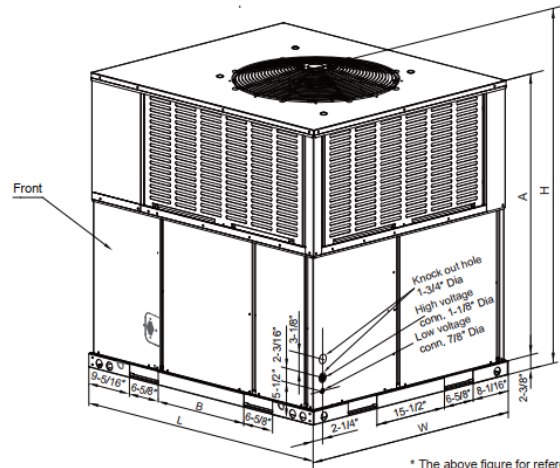
Submittal

TAG:

R454B CDP7 Series Packaged Rooftop Cooling capacity: 42K BTU/h



* The above figure for ref



* The above figure for reference purpose only.

Model	"L" in.[mm]	"W" in.[mm]	"H" in.[mm]	"A" in.[mm]	"B" in.[mm]
24,30,36	50-11/16 [1287]	35-1/16 [891]	46-13/16 [1190]	44-1/16 [1120]	11-3/4 [298]
42,48,60	51-9/16 [1310]	44-13/16 [1140]	51-7/16 [1306]	47-5/16 [1202]	19-11/16 [500]

Specifications

		CDP7-42-15
NOMINAL CAPACITY		
	Cooling (BTU/h)	41,000
	Heating (BTU/h)	41,000
ELECTRICAL DATA		
	Voltage / Phase (60 Hz)	208/230V-1Ph
	Min. / Max. Voltage (V)	187/253
	Min. Circuit Amps (MCA) (A)	34.1
	Max. Overcurrent Protection (MOP) (A)	45
COMPRESSOR		
	Type	Rotary
	Stage	Single
	Rated Load Amps (RLA) (A)	21
	Locked Rotor Amps (LRA) (A)	86
OUTDOOR COIL		
	Type	Tube & Fin
	Tube Size (O.D) (in)	9/32
OUTDOOR FAN MOTOR		
	Motor Type	PSC
	Capacitor (uF)	15
	Horsepower (HP)	1/3
	Full Load Amps (FLA) (A)	2.1
	Rated RPM	1,050
INDOOR COIL		
	Type	Tube & Fin
	Tube Size (O.D) (in)	9/32
INDOOR BLOWER MOTOR		
	Motor Type	ECM
	Capacitor (uF)	/
	Horsepower (HP)	3/4
	Full Load Amps (FLA) (A)	5.7
	Rated RPM	950
REFRIGERATION SYSTEM		
	Refrigerant Control	Orifice
	Refrigerant Charge (lbs. - oz.)	7 lbs. 15 oz.
SOUND POWER	(dB(A))	80
OPERATION RANGE		
	Cooling (°C)	10~51.7
	Cooling (°F)	50~125
	Heating (°C)	-15~30
	Heating (°F)	5~86
Dimension & Weight		
Unpacking (W*H*D)	mm	1140 x 1306 x 1310
	inch	44-13/16 x 51-7/16 x 51-9/16
Packing (W*H*D)	mm	1164 x 1329 x 1339
	inch	45-5/6 x 52-1/3 x 52-5/7
Net/Gross weight	kg	239/247
	lb	526/544
Shipping per STD 40HQ		31
SERVICE CODE		/

Airflow Data

208V

Model Number	Motor Speed		External Static Pressure-Inches W.C. [kPa]										
			0[0]	0.1[.02]	0.2[.05]	0.3[.07]	0.4[.10]	0.5[.12]	0.58	0.6[.15]	0.7[.17]	0.8[.20]	
24	Low	CFM	941.2	839.3	782.6	729.7	638.4	552.1	479.2	464.4	386.5	326.7	
		Current2/A	1.01	0	0	0	0	0	0	0	0	0	0
		Power2/W	231	226	222	218	213	210	207	207	206	200	195
	Middle-Factory	SCFM	1163.1	1045.6	989.5	933.5	873.3	821.7	723	708.2	608	502.3	
		CFM	1.38	1.35	1.33	1.31	1.28	1.26	1.23	1.23	1.2	1.17	
		Current2/A	315	306	301	296	289	282	273	272	266	257	
	High	Power2/W	1304.5	1182.4	1107.8	1044.2	982.9	932.5	869.6	824.8	713.5	594.2	
		CFM	1.66	1.6	1.58	1.55	1.53	1.5	1.48	1.46	1.43	1.4	
		Current2/A	371	355	348	341	335	326	318	314	306	297	
30	Low (Tap2)	CFM	1145.1	1088	1001.4	952.5	897.7	840.7	779.9	761.3	686.4	619	
		Current/A	1.86	1.9	1.95	1.98	2.02	2.05	2.1	2.1	2.14	2.19	
		Power/W	190	200	200	210	211	220	229	230	232	240	
	Middle (Tap3) - Factory	CFM	1279.3	1233.8	1142	1095.8	1054.2	1006.1	969.8	959.6	887.5	821	
		Current/A	2.28	2.33	2.39	2.43	2.46	2.51	2.54	2.55	2.62	2.67	
		Power/W	258	260	270	280	281	290	298	300	310	317	
	High (Tap4)	CFM	1458.9	1420.2	1376.1	1287.4	1250.4	1212.5	1179.1	1171.5	1132.4	1090.5	
		Current/A	3.03	3.1	3.15	3.23	3.28	3.33	3.37	3.37	3.43	3.48	
		Power/W	370	380	390	400	410	415	420	420	430	440	
36	Low (Tap3)	CFM	1279.3	1233.8	1142	1095.8	1054.2	1006.1	969.8	959.6	887.5	821	
		Current/A	2.28	2.33	2.39	2.43	2.46	2.51	2.54	2.55	2.62	2.67	
		Power/W	258	260	270	280	281	290	298	300	310	317	
	Middle (Tap4)	CFM	1458.9	1420.2	1376.1	1287.4	1250.4	1212.5	1179.1	1171.5	1132.4	1090.5	
		Current/A	3.03	3.1	3.15	3.23	3.28	3.33	3.37	3.37	3.43	3.48	
		Power/W	370	380	390	400	410	415	420	420	430	440	
	High (Tap5) - Factory	CFM	1516.3	1477.6	1436.4	1344.6	1308	1270.3	1239	1230.7	1194.1	1154.8	
		Current/A	3.3	3.37	3.43	3.52	3.56	3.61	3.65	3.66	3.71	3.76	
		Power/W	410	420	430	445	450	460	462	464	470	480	
42	Low (Tap2)	CFM	1425.7	1365.3	1297.9	1230.9	1161.2	1097.1	1043	1027	952.8	876.1	
		Current/A	1.99	2.05	2.11	2.17	2.23	2.3	2.37	2.38	2.46	2.53	
		Power/W	210	220	230	240	250	260	270	270	280	290	
	Middle (Tap3) - Factory	CFM	1604.2	1550.3	1493.9	1431.4	1371.7	1311.9	1252.6	1253.4	1189.8	1126.2	
		Current/A	2.52	2.58	2.66	2.73	2.8	2.87	2.93	2.95	3.03	3.11	
		Power/W	290	300	310	320	330	341	350	355	370	380	
	High (Tap4)	CFM	1934.1	1992.4	1884.3	1797	1742.7	1690.4	1653.4	1643.3	1590.5	1540.7	
		Current/A	3.38	3.93	4.01	4.09	4.18	4.27	4.33	4.34	4.43	4.52	
		Power/W	490	500	511	529	540	551	560	562	580	590	
48	Low - Factory	CFM	1989	1934	1876	1812	1737	1653	1583	1567	1476	1354	
		Current/A	17.38	17.24	17.17	17.09	16.98	16.89	16.81	16.77	16.64	16.48	
		Power/W	3987	3956	3937	3919	3893	3872	3855	3845	3814	3777	
	Middle	CFM	2115	2048	1980	1914	1834	1739	1662	1645	1547	1427	
		Current/A	17.69	17.56	17.44	17.36	17.25	17.13	17.06	17.06	16.92	16.77	
		Power/W	4056	4026	3998	3979	3953	3925	3909	3910	3877	3841	
	High	CFM	2242	2164	2088	2006	1921	1821	1735	1721	1614	1496	
		Current/A	18.12	18.04	17.92	17.81	17.66	17.55	17.44	17.44	17.31	17.15	
		Power/W	4151	4133	4105	4079	4043	4018	3992	3993	3963	3924	
60	Low (Tap3)	CFM	1604.2	1550.3	1493.9	1431.4	1371.7	1311.9	1252.6	1253.4	1189.8	1126.2	
		Current/A	2.52	2.58	2.66	2.73	2.8	2.87	2.93	2.95	3.03	3.11	
		Power/W	290	300	310	320	330	341	350	355	370	380	
	Middle (Tap4)	CFM	1934.1	1992.4	1884.3	1797	1742.7	1690.4	1653.4	1643.3	1590.5	1540.7	
		Current/A	3.38	3.93	4.01	4.09	4.18	4.27	4.33	4.34	4.43	4.52	
		Power/W	490	500	511	529	540	551	560	562	580	590	
	High (Tap5) - Factory	CFM	2033.1	1984.5	1939	1891.9	1837.6	1788	1748.9	1739.8	1687.2	1640.2	
		Current/A	4.35	4.42	4.48	4.56	4.65	4.73	4.8	4.81	4.9	4.99	
		Power/W	567	575	586	599	610	620	630	634	650	660	

--- Shaded boxes represent airflow outside the required 300 to 450 cfm/ton, which are not recommended

Features

- Quiet horizontal discharge.
- Compatible with side and bottom air discharge
- Power-painted galvanized steel cabinet.
- Electric heat kit available as a field-installed option: 5/8/10/15/20kW.
- High-efficiency compressors operate smoothly, quietly, and consistently.
- Internal safeguards protect the compressor against high and low pressure, and coil temperature.
- Aluminum tube/aluminum fin coil.
- High-efficiency ECM blower motor.
- AHRI Certified and ETL listed.
- Compliant with UL-60335 certification.
- Uses more environmentally friendly R454B refrigerant.
- Full DC variable speed condenser motor, more efficient, smarter, and quieter.

ComfortStar[®]



Add.: 12201 N W 107th Avenue Miami, FL 33178

1.866.524.9898 Toll Free

305.500.9898 Office

305.500.9896 Fax document.

<http://www.comfortstarusa.com>