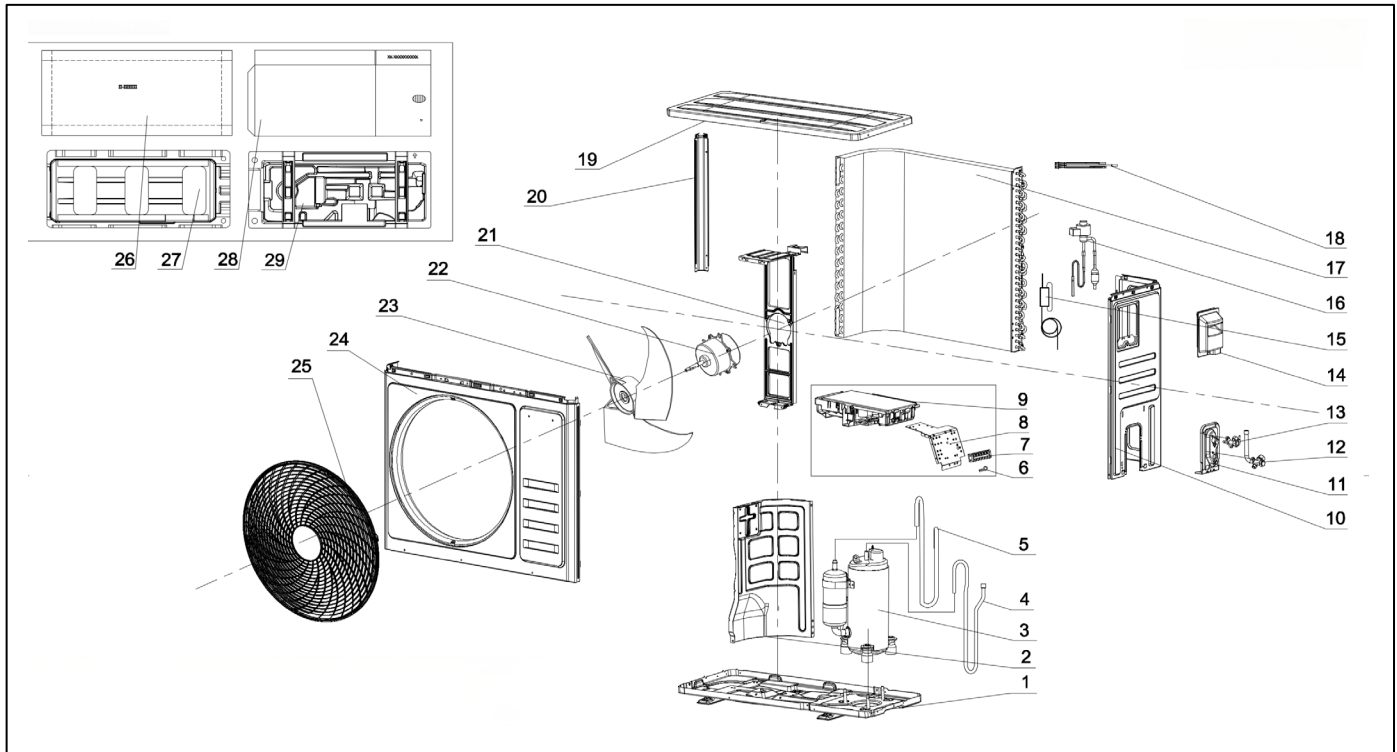


Exploded View

Model CAC24CD(O)-WI20 (41Y)

ComfortStar®

Service code: 41Y



| EX_ID | Spare Parts Code | Part Name(EN) | Qty. | Price | Remarks |
|-------|------------------|------------------------------------------------|------|-------|---------|
| 1 | 41202-000364 | Base component | 1 | | |
| 2 | 41208-000149 | mid.Isolation sheet (inverter without Reactor) | 1 | | |
| 3 | 92014-000861 | Compressor | 1 | | |
| 4 | 92006-011005 | Discharge Pipe | 1 | | |
| 5 | 92007-019508 | Suction pipe | 1 | | |
| 6 | 42001-000036 | Wire clamp | 1 | | |
| 7 | 11304-100117 | Terminal | 1 | | |
| 8 | 41211-000038 | Outdoor electrical fixing board | 1 | | |
| 9 | G0301-118745 | Outdoor PCB assembly | 1 | | |
| 10 | 41205-000642 | right plate | 1 | | |

| | | | | | |
|----|--------------|-------------------------------------|---|--|--|
| 11 | 41204-000018 | Valve supporter | 1 | | |
| 12 | 92007-001066 | Cut-off valve assembly | 1 | | |
| 13 | 92007-005523 | Cut-off valve assembly | 1 | | |
| 14 | 41201-000106 | outdoor safety cover | 1 | | |
| 15 | / | / | | | |
| 16 | 92007-021249 | Electronic Expansion Valve Assembly | 1 | | |
| 17 | 92011-013288 | Condenser Component | 1 | | |
| 18 | 10104-100056 | Temperature sensing envelope wire | 1 | | |
| 19 | H0105-110032 | Top cover | 1 | | |
| 20 | 41205-000130 | Left Support bar | 1 | | |
| 21 | 41203-000052 | Motor bracket | 1 | | |
| 22 | 22001-000555 | Brushless Dc Motor | 1 | | |
| 23 | 42004-000104 | Propeller fan | 1 | | |
| 24 | 41206-000057 | front plate | 1 | | |
| 25 | 42011-000040 | fan guard (metal) | 1 | | |
| 26 | A2005-000540 | Carton Base | 1 | | |
| 27 | 41213-000019 | Packing foam | 1 | | |
| 28 | A1201-000396 | Outdoor unit package carton | 1 | | |
| 29 | 41213-000019 | Packing foam | 1 | | |