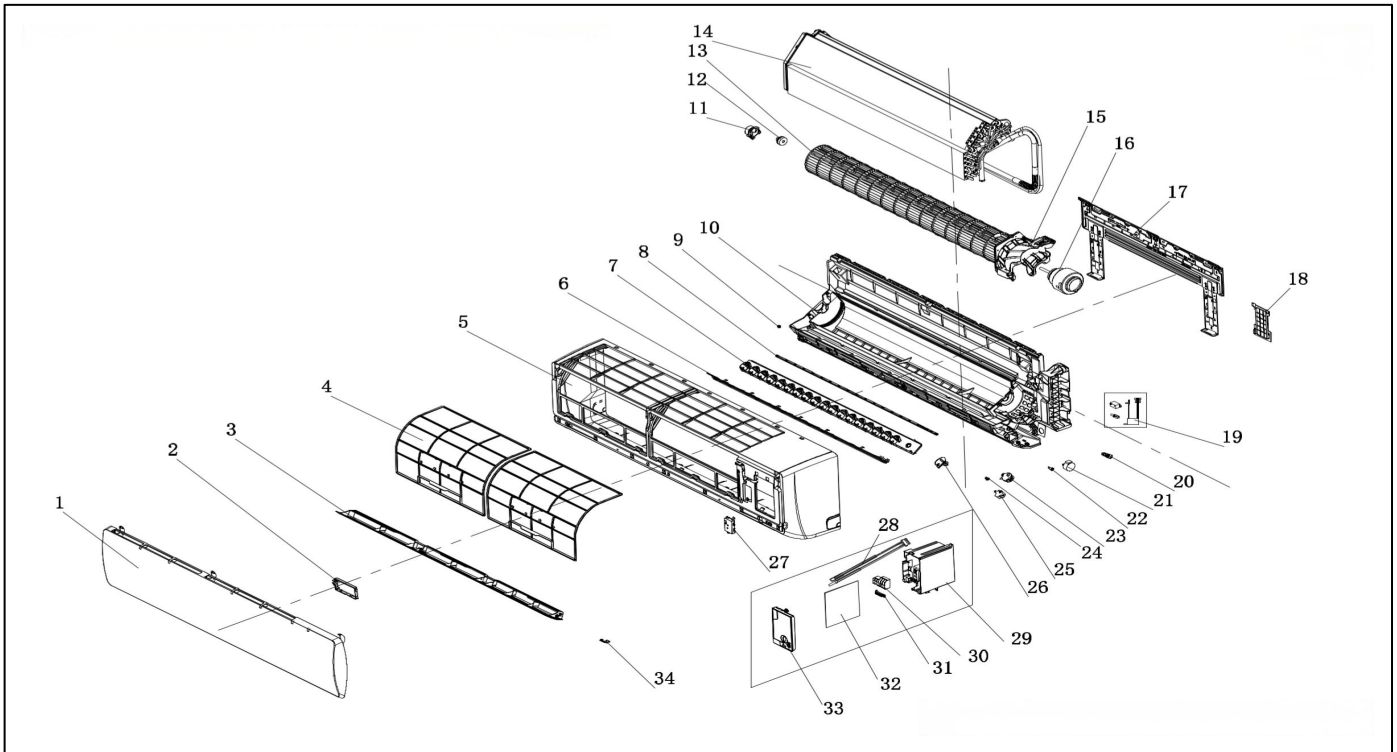


Exploded View

Model CH20-36CD-32(I)
Service code:

ComfortStar®



EX_ID	Spare Parts Code	Part Name(EN)	Qty.	Price	Remarks
1	41106-002086	Front Panel	1		
2	42003-000001	Display Fixing box	1		
3	41103-000644	Vane	1		
4	42008-000239	air filter	1		
5	41106-014055	Middle support	1		
7	41101-000528	Card board	1		
8	41101-000529	auto vertical vane connector	1		
9	42011-000303	Vane Bush	1		
10	41102-000578	Base	1		
11	41101-000250	Bearing Mount cover	1		

12	42007-000009	Bearing mount	1		
13	42004-000242	Cross Fan	1		
14	92011-010300	evaporator	1		
15	41108-000203	Cover of motor	1		
16	22001-000726	Indoor motor	1		
17	41109-000084	Installation plate	1		
18	41101-000240	pipe fixer	1		
19	/	/	0		
20	92012-000185	Drain-pipe plug	1		
21	22001-000360	Step Motor	1		
22	41101-000252	Electrical protection shaft	1		
23	41108-000134	Step motor box	1		
24	42011-000366	electric axis	1		
25	22001-000485	Stepper Motor	1		
26	41101-000374	vertical vane	1		
27	G0303-110011	WIFI assembly	1		
28	10104-100022	Thermistor	1		
29	41105-000427	Electrical box	1		
30	11304-100063	Terminal	1		
31	42001-000103	Clamp	1		
32	G0301-117674	main PCB	1		
33	41211-000079	Electrical Box Cover	1		
34	41101-000349	Wind deflector bolt	2		
35	42009-000011	Extrusion Tube	1		
36	22007-000104	Air conditioning power cord	0		
37	G0401-113608	Remote Controller	1		
38	A2005-001127	Carton	1		
39	A1102-000042	packing foam(left)	1		
40	A1102-000043	packing foam(right)	1		